

PH1 Product Data Sheet

- Reliable and safe emergency shut down for diesel engines
- Simple pull cable activation method, with operator friendly manual reset
- Aluminum flap and housing for durable seal and low weight
- Designed for challenging thermal applications
- Wide range of sizes available
- Robust design; Tested to 18.6 gmrs vibration cycle
- Components corrosion tested to ASTM B117, 96hrs Salt Fog
- Corrosion resistant pull cable



Product Description

Maximum Intake Boost Air Pressure
Continuous Intake Air Temperature
Ambient Temperature Range

2.76 bar (gauge) [40 psig]
 -67°C to 200°C [-40°F to 392°F]
 -40°C to 120°C [-40°F to 248°F] (valve body)

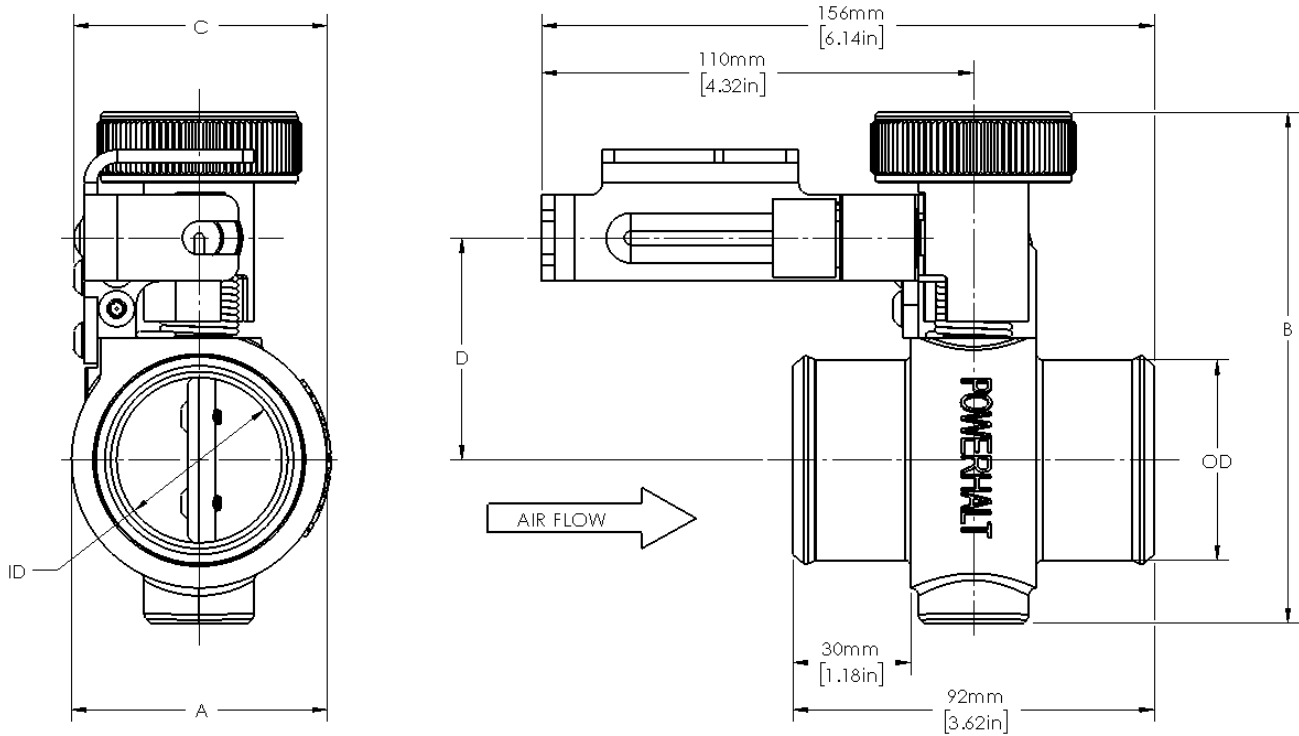
Resting Position
Activated Position

Valve open
 Valve closed

Standard Mounting Options
Pipe Sizes Supported

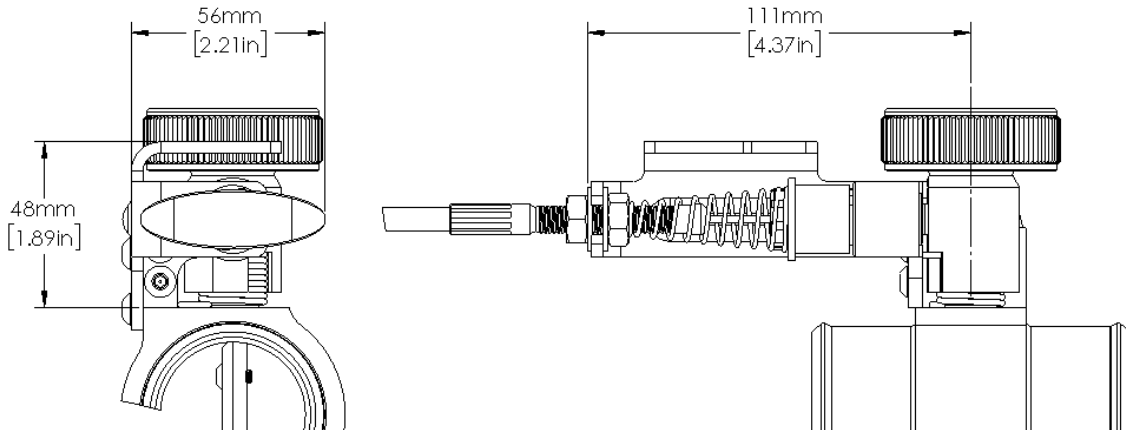
Hose to hose
 Ø44.5 mm to 70 mm [Ø1.75 in to Ø2.75 in] (more sizes available per request)

Physical Characteristics



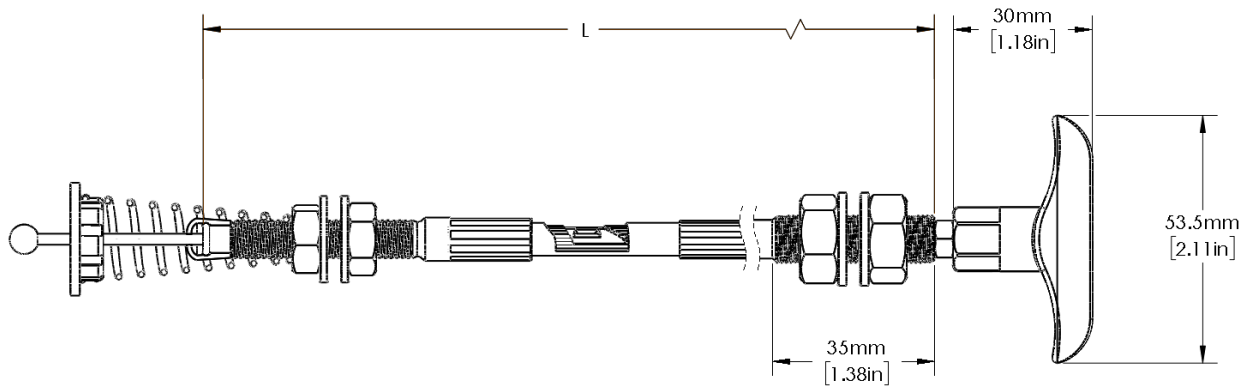
Nominal Valve Size [OD]	Valve Core Dimensions					Weight
	Bore [ID]	Housing OD [A]	Height [B]	Width [C]	Trigger [D]	
44.5 mm [1.75 in]	35.5 mm [1.40 in]	65 mm [2.56 in]	129.8 mm [5.11 in]	61.9 mm [2.44 in]	57 mm [2.22 in]	1.5 kg [3.3 lb]
51 mm [2.0 in]	42 mm [1.65 in]	65 mm [2.56 in]	129.8 mm [5.11 in]	61.9 mm [2.44 in]	57 mm [2.22 in]	1.5 kg [3.3 lb]
57 mm [2.25 in]	48 mm [1.89 in]	65 mm [2.56 in]	129.8 mm [5.11 in]	61.9 mm [2.44 in]	57 mm [2.22 in]	1.4 kg [3.1 lb]
64 mm [2.5 in]	55mm [2.17 in]	81.5 mm [3.21 in]	135.9 mm [5.35 in]	70.1 mm [2.76 in]	59.5 mm [2.34 in]	1.6 kg [3.5 lb]

Pull Cable Activation



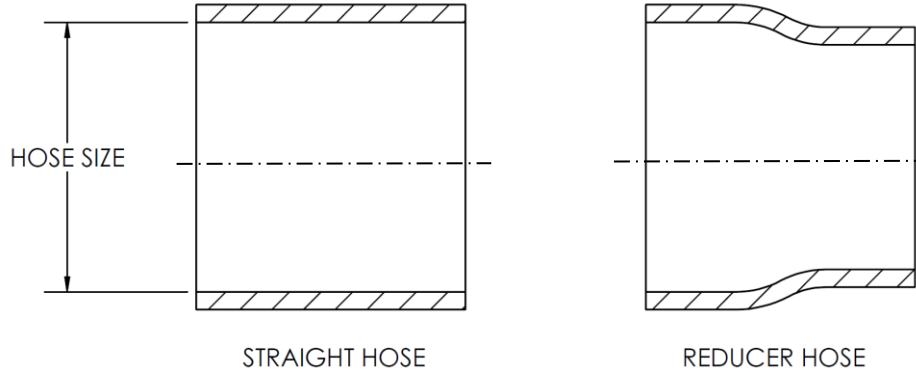
Minimum Cable Activation Pull Force	50 N [11.2 lbf]
Minimum Stroke for Activation	12 mm [0.47 in]
Activation	Pull to shut valve

Pull Cable



Minimum Cable Bending Radius	90 mm [3.54 in]					
Cable Lengths [L]	mm	610	1220	1830	2440	3050
	ft	2	4	6	8	10
Default Position	Handle retracted					
Cable Weight (Reference)	0.29 kg [0.64 lb] for 1830 mm [6 ft] Length					
Total degrees of all bends	360° maximum					
Through-hole size	11 mm [7/16 in]					
Ambient Temperature Range	-40°C to 85°C [-40°F to 185°F]					

Hoses



Temperature Rating	-55°C to +175°C [-67°F to +347°F]
Pressure Rating	Conforms to SAE J20 (20R1 HD SW)
Hose Sizes	44.5 to 70 mm [1.75 to 2.75 in]

Clamps

Description	Clamp, spring loaded constant tension gear/SAE J1508 Type SLF	
SAE Sizes	#262	#312
Size Range	44.5 mm to 66.7 mm [1.75 in to 2.625 in]	54 mm to 79.4 mm [2.125 in to 3.125 in]
Installation Torque	5.1 Nm [45 in-lbf]	

Applications

- Lighting Units
- Bulk Haulers
- Grain Processing Plants
- Refinery Processing
- Fueling Vehicles
- Pump Trucks
- Ambulances
- Tankers
- Cranes
- Vehicles
- Tow Vehicles
- Fire Trucks
- Lighting Trucks
- Power Generators
- Forklifts
- Underground Equipment
- Support Vehicles
- Vacuum Trucks
- Frack Trucks
- Drilling Rigs
- Work Boats
- Barges
- Welders

Notes:

All information contained in this document is for reference only, subject to change without notice.