

P-36

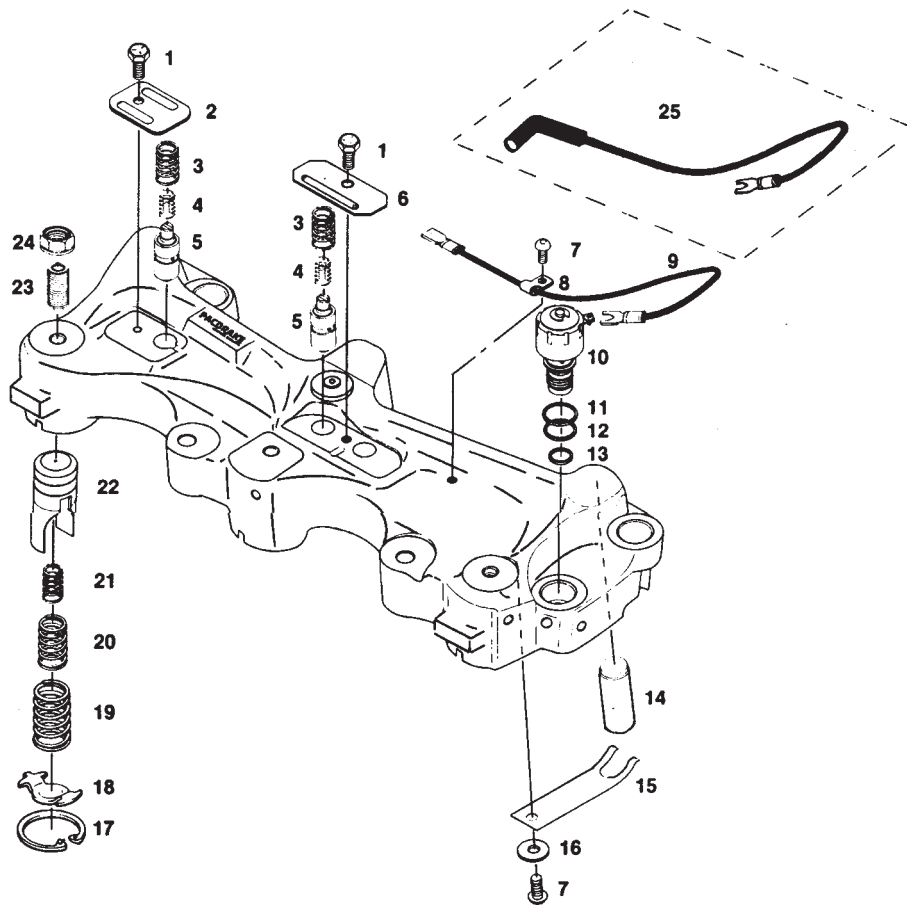
ENGINE BRAKE PARTS GUIDE

APPLICATION | CATERPILLAR 3406/B/C ENGINES

PAC  **BRAKE**[®]

P-36

**P34605 FRONT HOUSING ASSEMBLY, P34610 REAR HOUSING ASSEMBLY
(REPLACEMENT HOUSINGS ARE OBSOLETE)**

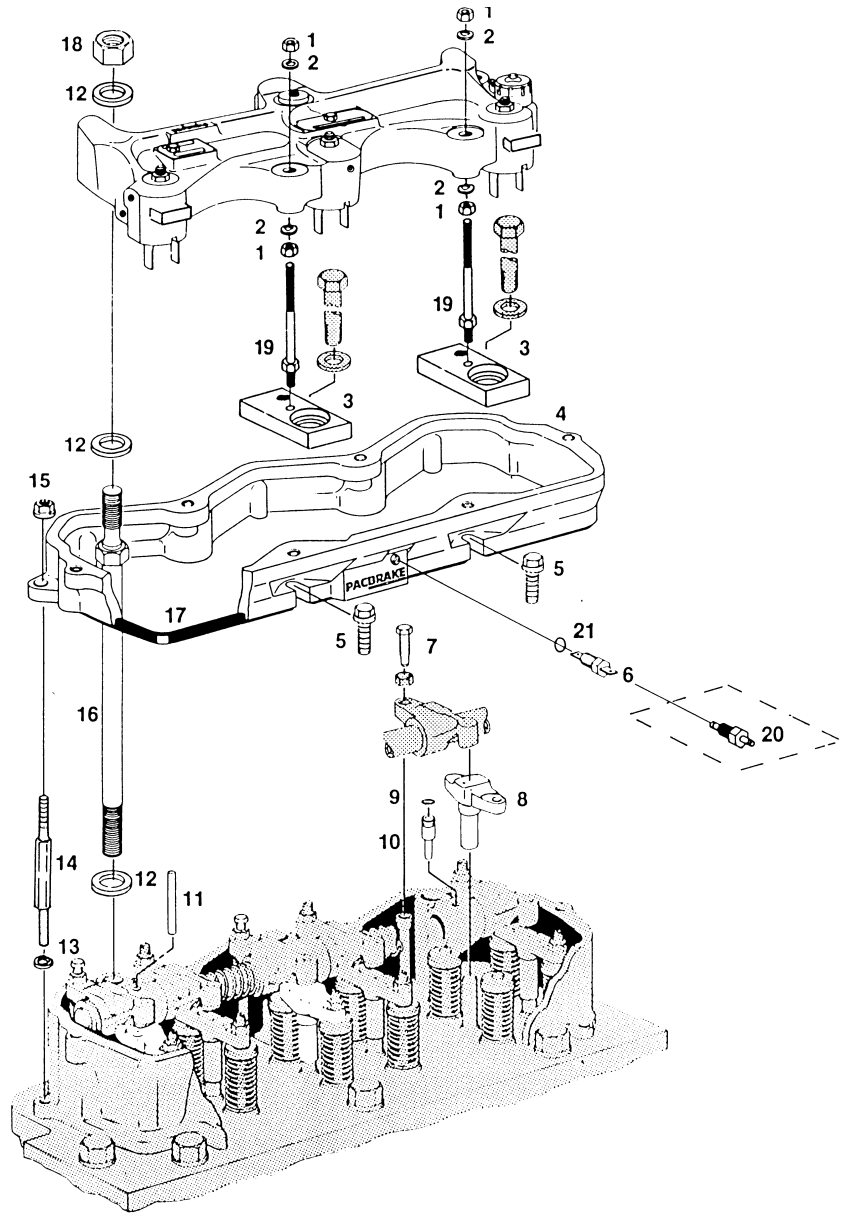


#	PART #	DESCRIPTION	QTY
1	P01492	CAPSCREW-1/4X1/2 HEXHEAD	2
2	P04136	CONTROL VALVE COVER	1
3	P11434	OUTER CONTROL VALVE SPRING	3
4	P11435	INNER CONTROL VALVE SPRING	3
5	P11930	CONTROL VALVE	3
6	P34650	CONTROL VALVE COVER	1
7	P03790	CAPSCREW 1/4-20 X 3/8	4
8	P14908	CLAMP	1
9	P07450	SOLENOID HARNESS-CATERPILLAR	1
10	P04205	SOLENOID-12VOLT	1
11	P01081	SOLENOID SEAL-UPPER	1
12	P01082	SOLENOID SEAL-CENTER	1
13	P01083	SOLENOID SEAL-LOWER	1

#	PART #	DESCRIPTION	QTY
14	P05612	MASTER PISTON	3
15	P13158	MASTER PISTON SPRING-FLAT	3
16	P01030	SPRING RETAINER	3
17	P05611	SNAP RING-CAT	3
18	P05610	RETAINER-CAT	3
19	P07833	OUTER SLAVE SPRING-CAT	3
20	P07832	CENTER SLAVE SPRING-CAT	3
21	P11433	INNER SLAVE SPRING	3
22	P10830	SLAVE PISTON-CAT	3
23	P34606	PAFLASH ADJUSTING SCREW-WHITE	3
24	P09353	FLANGED NUT	3
25	P34648	SOLENOID HARNESS-CATERPILLAR	1

ATTACHING GROUP

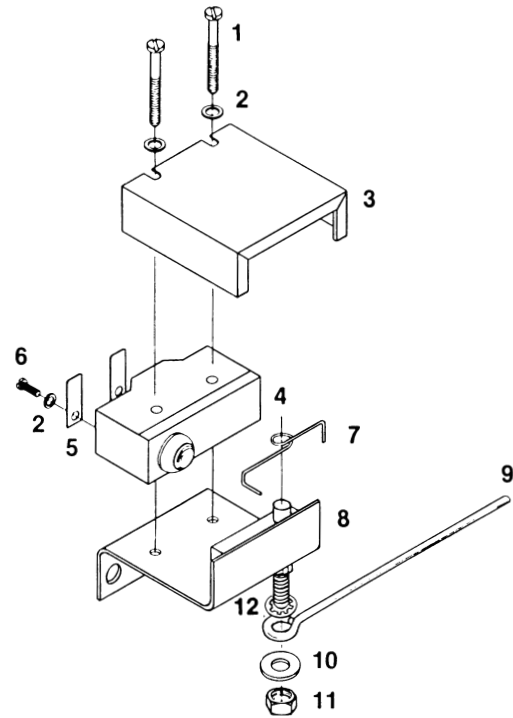
#	PART #	DESCRIPTION	QTY
1	P34620	HEX NUT-7/16-18 GR8	8
2	P34625	SUPPORT BRACKET WASHER	8
3	P34643	SUPPORT BASE-P36	4
4	P05602	SPACER-CAT 3406/B/C	2
5	P05653	SUPERSEDED TO C11819	4
6	P02299	LEADOUT TERMINAL	2
7	P12810	INJECTOR ADJUSTING SCREW	6
8	P13469	CROSSHEAD	6
9	P02411	O-RING	2
10	P05647	OIL SUPPLY ADAPTER	2
11	P34660	DOWEL PIN - 1/4"X2	2
12	P34630	MOUNTING WASHER-P36	12
13	P05656	PLAIN WASHER-CAT	8
14	P11470	STUD - SPACER MOUNTING	8
15	P05654	FLANGED NUT	8
16	P13694	STUD - HSG. MOUNTING	4
17	P05639	SEAL	2
18	P34628	HEX NUT 3/4	4
19	P34647	STUD-SUPPORT BASE	4
20	P34655	TERMINAL	2
21	P34654	O-RING - VITON	2



CONTROL SYSTEM PARTS

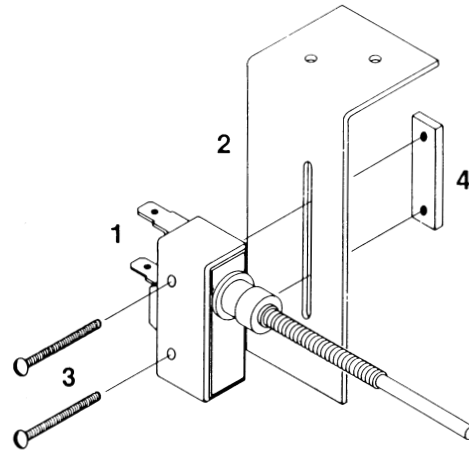
P01495 CLUTH SWITCH ASSEMBLY -

#	PART #	DESCRIPTION	QTY
1	P01244	MACHINE SCREW	2
2	P01559	LOCK WASHER	4
3	P01506	SWITCH COVER	1
4	P01218	SWITCH	1
5	P01040	TERMINAL	2
6	P01558	MACHINE SCREW 6-32 X 1/4	2
7	P01497	SWITCH SPRING	1
8	P02198	BRACKET & LEVER ASSEMBLY	1
9	P02183	SWITCH LEVER	1
10	P02190	FLAT WASHER-1/4"	1
11	P02186	NUT-1/4" HEX NF	1
12	P02191	LOCK WASHER	1



P12261-T CLUTH SWITCH ASSEMBLY -

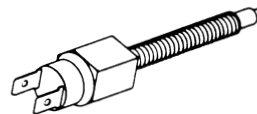
#	PART #	DESCRIPTION	QTY
1	P12246T	WOBBLE SWITCH	1
2	P12269	MOUNTING BRACKET	1
3	P02744	MACHINE SCREW 6-32X1 RH	2
4	P01531	SWITCH BRACKET	1



P03776 - SWITCH ASSEMBLY



*P17470 THROTTLE SWITCH - B AND C ENGINES (INCLUDED IN BASE KIT)



1. P03586 SWITCH -

2. P03777 PLATE -

*P13373 OPTIONAL THROTTLE SWITCH (EXTERNAL MOUNTING TYPE FOR USE WHEN P17470 INTERNAL TYPE CANNOT BE USED).

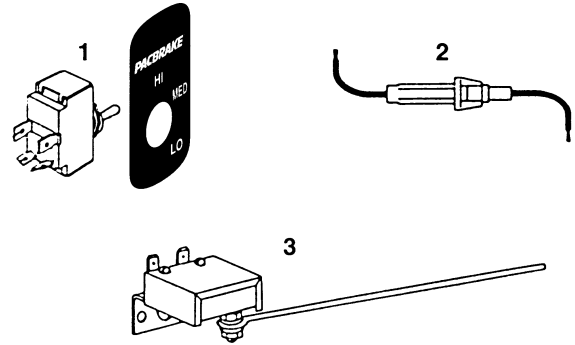
P34616 - P-36 BASE KIT

The P-36 base kit is packaged for installation on vehicles that are switched and wired. For vehicles not switched and wired, one of the control groups listed below must be selected. Engine information must be obtained to make this selection.

CONTROL GROUPS

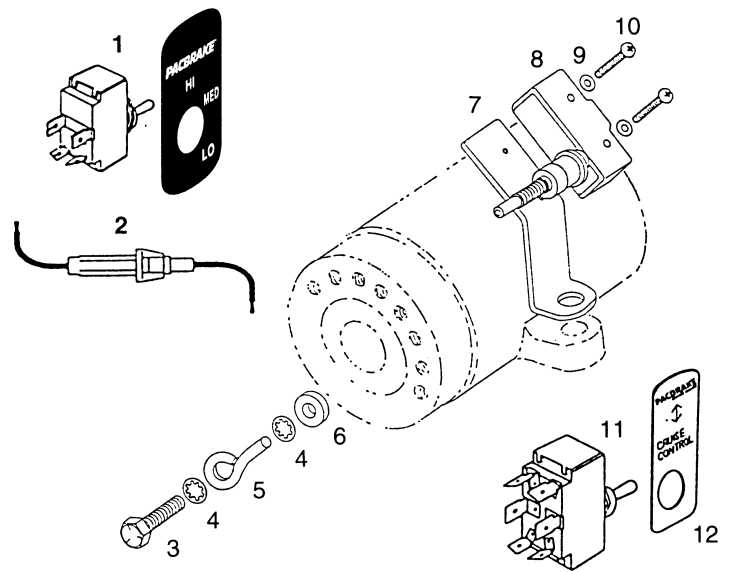
P34617 MECHANICAL GROUP

#	PART #	DESCRIPTION	QTY
1	P03776	TOGGLE SWITCH ASSEMBLY	1
2	P01300	FUSE HARNESS	1
3	P01495	CLUTCH SWITCH ASSEMBLY	1
Ni.	P00828CT	HARNESS	1



P34618 PEEC II GROUP

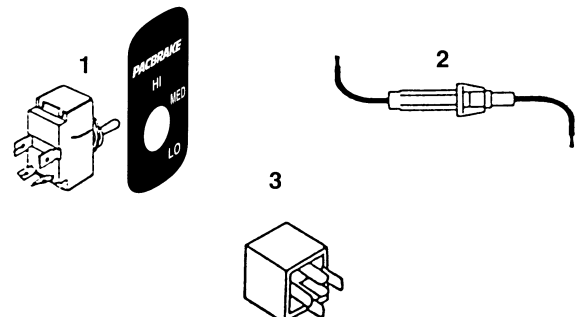
#	PART #	DESCRIPTION	QTY
1	P03776	TOGGLE SWITCH ASSEMBLY	1
2	P01300	FUSE HARNESS	1
*3	P34631	SWITCH-CATERPILLAR PEEC III	1
*4	P02191	LOCK WASHER	2
*5	P34636	ARM	1
*6	P34638	SPACER	1
*7	P34634	BRACKET - SWITCH	1
*8	P34633	WOBBLE SWITCH	
*9	P01559	LOCK WASHER	2
*10	P34632	SCREW	2
*11	P34639	SWITCH	1
*12	P34641	SWITCH PLATE-CRUISE CONTROL	1
Ni.	P00832CT	HARNESS	



* PARTS ARE INCLUDED WITH P34631 GROUP

P34619 PEEC III GROUP

#	PART #	DESCRIPTION	QTY
1	P03776	TOGGLE SWITCH ASSEMBLY	1
2	P01300	FUSE HARNESS	1
3	P60045	RELAY-12 VOLT	1
Ni.	P00830CT	HARNESS	1

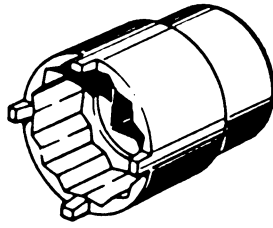


PACBRAKE®

L1001

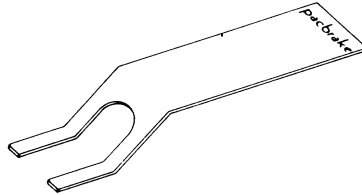
SERVICE TOOL AND PARTS

P11494 SOLENOID WRENCH -



P07446 .060 FEELER GAUGE -

P13184 .070 FEELER GAUGE -



P34670 .080 FEELER GAUGE -

P18488 .090 FEELER GAUGE -

P06837 SHIM PACK

P08920 THROTTLE SWITCH (3/8 NC THREAD)