

# P-37

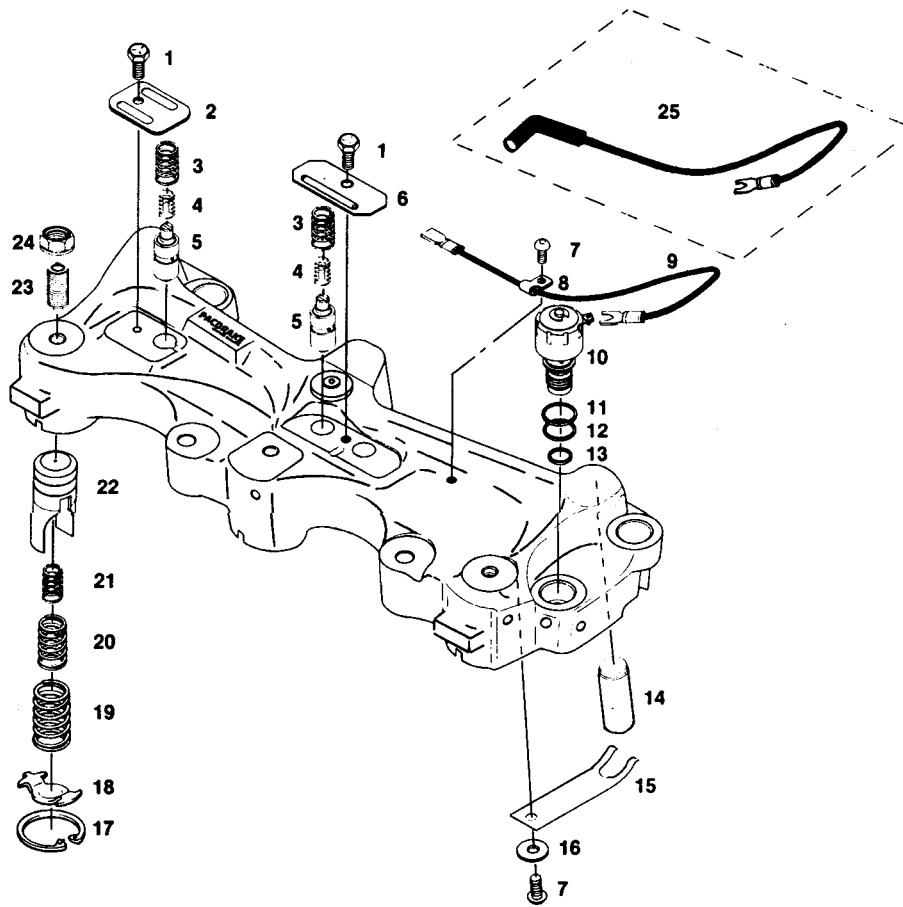
## ENGINE BRAKE PARTS GUIDE

INCLUDING C11037, C11237 AND C11337 RETRO-FIT KITS

APPLICATION | CATERPILLAR 3406/B/C ATAAC & JWAC ENGINES

**PACBRAKE**<sup>®</sup>

**P-37 (P34605 FRONT HOUSING ASSEMBLY, P34610 REAR HOUSING ASSEMBLY)**

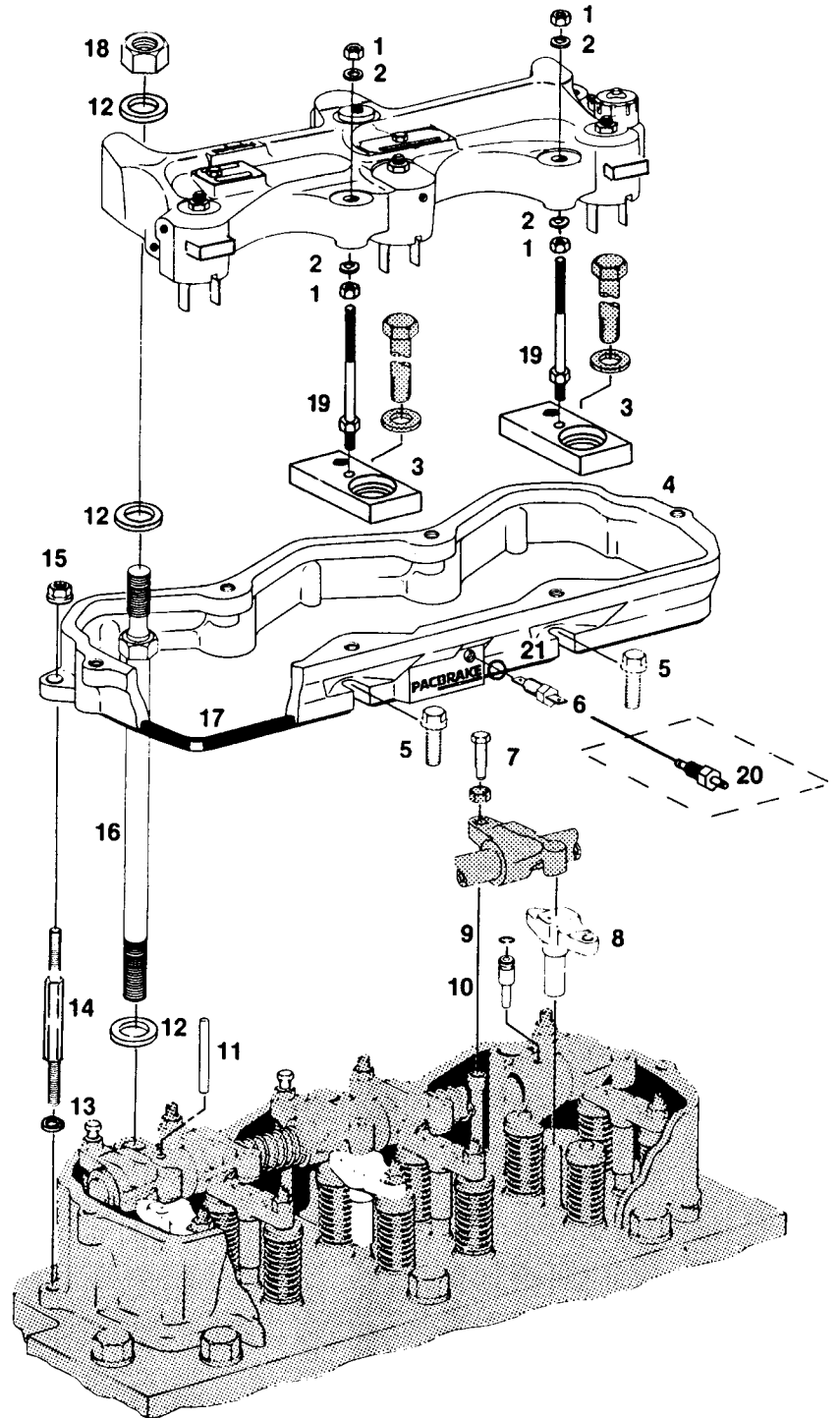


#	PART #	DESCRIPTION	QTY
1	P01492	CAPSCREW-1/4X1/2 HEXHEAD	2
2	P04136	CONTROL VALVE COVER	1
3	P11434	OUTER CONTROL VALVE SPRING	3
4	P11435	INNER CONTROL VALVE SPRING	3
5	P11930	CONTROL VALVE	3
6	P34650	CONTROL VALVE COVER	1
7	P03790	CAPSCREW 1/4-20 X 3/8	4
8	P14908	CLAMP	1
9	P07450	SOLENOID HARNESS-CATERPILLAR	1
10	P04205	SOLENOID-12VOLT	1
11	P01081	SOLENOID SEAL-UPPER	1
12	P01082	SOLENOID SEAL-CENTER	1
13	P01083	SOLENOID SEAL-LOWER	1

#	PART #	DESCRIPTION	QTY
14	P05612	MASTER PISTON	3
15	P13158	MASTER PISTON SPRING-FLAT	3
16	P01030	SPRING RETAINER	3
17	P05611	SNAP RING-CAT	3
18	P05610	RETAINER-CAT	3
19	P07833	OUTER SLAVE SPRING-CAT	3
20	P07832	CENTER SLAVE SPRING-CAT	3
21	P11433	INNER SLAVE SPRING	3
22	P10830	SLAVE PISTON-CAT	3
23	P34606	PAFLASH ADJUSTING SCREW-WHITE	3
24	P09353	FLANGED NUT	3
25	P34648	SOLENOID HARNESS (OPTIONAL)	1

# P34680 ATTACHING GROUP

#	PART #	DESCRIPTION	QTY
1	P34620	HEX NUT-7/16-18 GR8	8
2	P34625	SUPPORT BRACKET WASHER	8
3	P34643	SUPPORT BASE-P36	4
4	P05602	SPACER-CAT 3406/B/C	2
5	P05653	SUPERSEDED TO C11819	4
6	P02299	TERMINAL LEADOUT	2
7	P12810	INJECTOR ADJUSTING SCREW	6
8	P13469	CROSSHEAD	6
9	P02411	O-RING	2
10	P05647	OIL SUPPLY ADAPTER	2
11	P34660	DOWEL PIN - 1/4"X2	2
12	P34630	MOUNTING WASHER-P36	12
13	P05656	PLAIN WASHER-CAT	8
14	P11470	STUD - SPACER MOJNTING	8
15	P05654	FLANGED NUT	8
16	P13694	STUD - HSG. MOUNTING	4
17	P05639	SEAL	2
18	P34628	HEX NUT 3/4	4
19	P34647	STUD-SUPPORT BASE	4
20	P34655	TERMINAL	2
21	P34654	O-RING - VITON	2
Ni.	P11722	BREATHER HOSE-CATERPILLAR	1



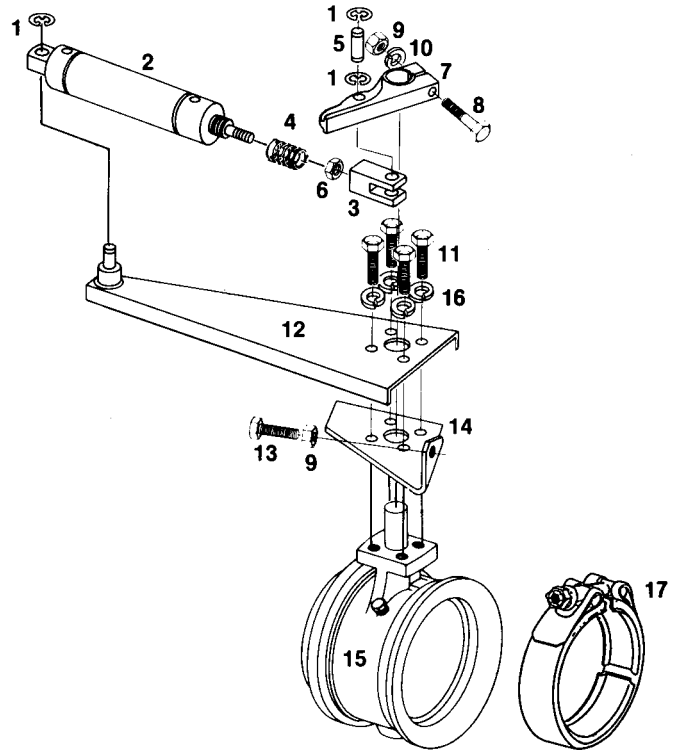
### C10280 EXHAUST RESTRICTER (INCLUDED IN C11337 RETRO-FIT KIT)

#	PART #	DESCRIPTION	QTY
1	C10420	E-CLIP	3
2	C10579	2-WAY CYLINDER	1
3	C10415	CLEVIS-C11596/C10579	1
4	C10581	SPRING-FOR C10580 ONLY	1
5	C10425	CLEVIS PIN	1
6	C10430	LOCKNUT-7/16" NF	1
7	C10435	LEVER ARM	1
8	C10440	CAPSCREW-1-3/4X5/16NF GR5 PLTD	1
9	C10450	NUT	2
10	C10453	LOCK WASHER	1
11	C10455	CAPSCREW	4
12	C10460	BRACKET ASSEMBLY	1
13	C10465	CAPSCREW-5/16X1 NF GR5 PLATED	1
14	C10475	STOP BRACKET	1
15	C10251	VALVE BODY ASSEMBLY (C10250)	1
16	C10454	LOCK WASHER	4

(ALL ABOVE INCLUDED IN C10280)

17	C11750	V-CLAMP - DIRECT MOUNT	1
----	--------	------------------------	---

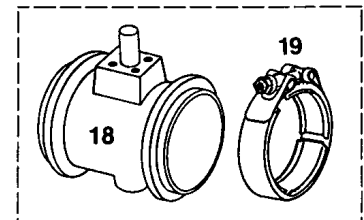
(USE WITH C10280 ONLY)



### C10200 EXHAUST RESTRICTOR (INCLUDED IN C11037 RETRO-FIT KIT)

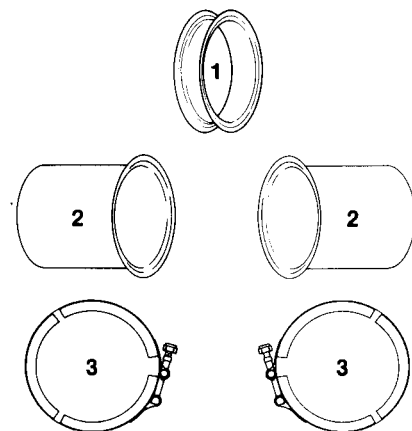
#	PART #	DESCRIPTION	QTY
*18	C10500	VALVE BODY ASSEMBLY (C10175)	1
19	C10620	V-CLAMP - LD	2

\* INLINE MOUNT EXHAUST BRAKE PART NO. C10200 HAS A DIFFERENT VALVE BODY BUT UTILIZES ALL THE SAME ATTACHING PARTS



### C10537 EXHAUST MOUNTING GROUP (INCLUDED IN C11037 RETRO-FIT KIT)

#	PART #	DESCRIPTION	QTY
1	C10511	DOUBLE ADAPTER-HD	1
2	C10515	SINGLE ADAPTER-5"	2
3	C10620	V-CLAMP - LD	2



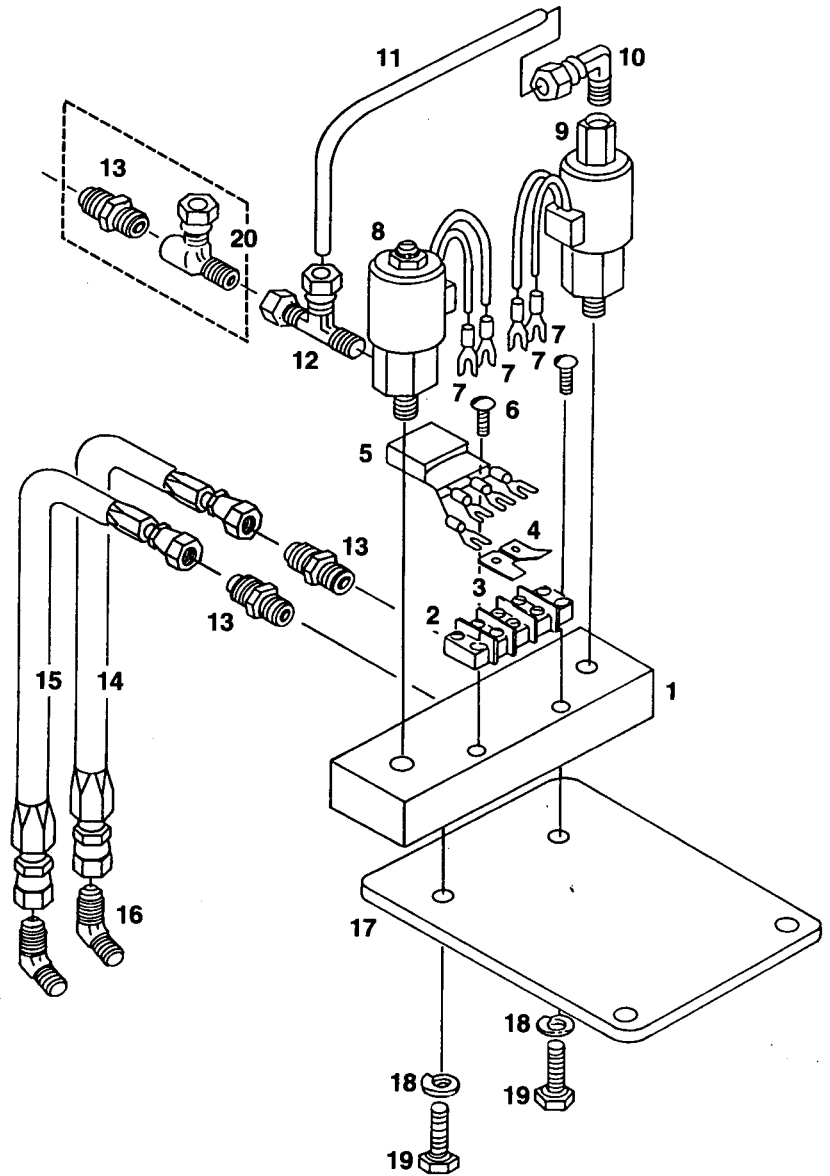
# CONTROL SYSTEM

## C10133 CONTROL GROUP (INCLUDED IN C11337 RETRO-FIT KIT)

#	PART #	DESCRIPTION	QTY
1	C11783	SOLENOID BLOCK	1
2	C11794	TERMINAL BLOCK	1
3	C11799	TERMINAL - FLAT	1
4	C11800	TERMINAL - 45 DEGREES	1
5	C11806	BRIDGE RECTIFIER ASSEMBLY	1
6	C11801	MOUNTING SCREW	2
7	C11797	TERMINAL - FORK	4
8	C11780	12V SOLENOID	1
9	C11781	12V SOLENOID	1
10	C11796	90 DEGREE FITTING	1
11	C11792	TEFLON TUBE	1
12	C11795	TEE FITTING	1

ALL ABOVE INCLUDED IN C11782 SOLENOID BLOCK ASSY.

13	C11786	FITTING 1/8 - #4	2
14	C10108	HOSE-FRONT CYLINDER, P37	1
15	C10109	HOSE-REAR CYLINDER, P37	1
16	C10685	FITTING-1/8"X1/4"	2
17	C11732	MOUNTING BRACKET	1
18	C10453	LOCK WASHER	2
19	C11729	CAPSCREW 5/16 NC	2



## C10134 CONTROL GROUP (INCLUDED IN C11339 RETRO-FIT KIT)

#	PART #	DESCRIPTION	QTY
13	C11786	FITTING 1/8 - #4	1
20	C11788	TEE FITTING	1

ITEMS '13' & '20' (SHOWN IN DOTTED AREA) REPLACE ITEM '12', TO BECOME A C11787 SOLENOID BLOCK ASSY. ALL OTHER COMPONENTS ARE THE SAME AND ARE INCLUDED IN THIS C10134 GROUP.

# CONTROL SYSTEM

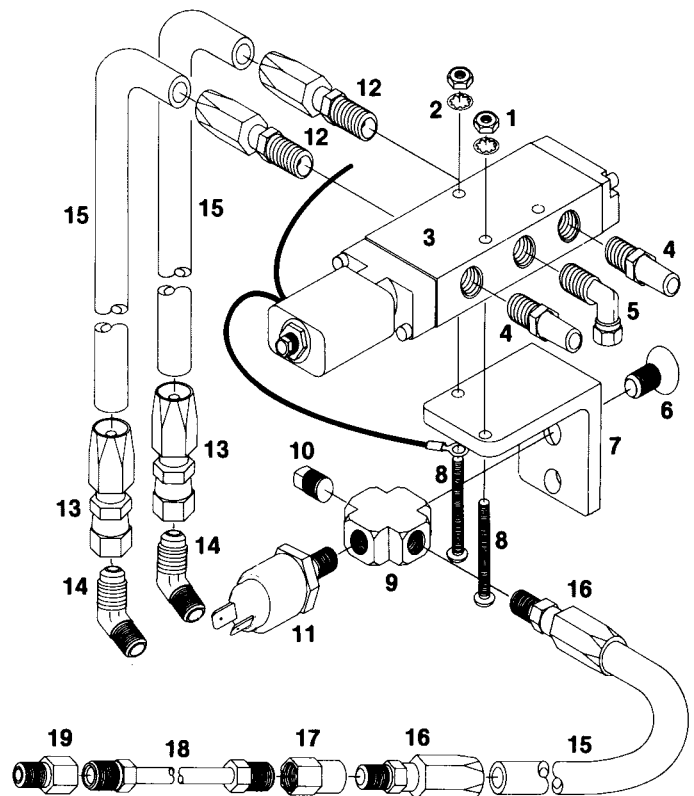
## C10130 CONTROL GROUP (INCLUDED IN C11037 & C11237 RETRO-FIT KITS)

#	PART #	DESCRIPTION	QTY
1	C10843	NUT	2
2	C11045	LOCK WASHER	2
3	C10557	SOLENOID VALVE-4 WAY	1
4	C10773	MUFFLER-1/4" NPT	2
5	C10572	FITTING-1/4" NPT	1
*6	C10840	FLAT HEAD SCREW	1
7	C10835	BRACKET	1
8	C10842	BRACKET SCREW	2
*9	C10830	CROSS FITTING	1
*10	C10505	PLUG	1
*11	C10670	PRESSURE SWITCH	1

ALL ABOVE ITEMS INCLUDED IN C11000 ASSEMBLY

12	C11042	FITTING-1/4" NPT	2
13	C11043	FITTING-FEMALE	2
14	C10685	FITTING-1/8"X1/4"	2
15	C10107	HOSE-8' WIRE BRAID	8'
*16	C11041	FITTING-1/8" NPT	2
*17	C11040	FITTING - ADPAPT.	1
*18	C10677	METAL TUBE	1
*19	C10678	FITTING - 1/8 ADAPT.	1

\*THESE ITEMS ARE NO LONGER REQUIRED. CONSULT PACBRAKE 800.663.0096



## WIRING HARNESS APPLICATION

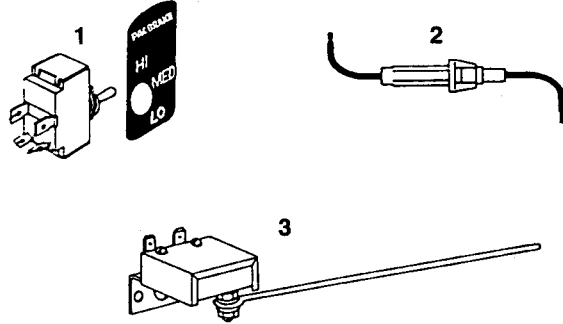
HARNESS PART #	DESCRIPTION	APPLICATION
P00815CT	HARNESS - PARTIAL	C11037 & C11237 RETRO-FIT KIT
P00816CT	HARNESS - PARTIAL	C11337 RETRO-FIT KIT
P00817CT	HARNESS - COMPLETE	EARLY P-37 IN CONVENTIONALS
P00827CT	HARNESS - COMPLETE	EARLY P-37 IN COE'S
P00828CT	HARNESS - MECHANICAL	CURRENT P-37 MECHANICAL ENG.
P00829CT	HARNESS - PEEC II	CURRENT P-37 PEEC II ENG.
P00830CT	HARNESS - PEEC III	CURRENT P-37 PEEC III ENG.

## P34719 - P-37 BASE KIT

The P-37 base kit is packaged for installation on vehicles that are pre-wired for this combination brake system. For vehicles not pre-wired, one of the control groups listed below must be selected. Engine information must be obtained to make this selection.

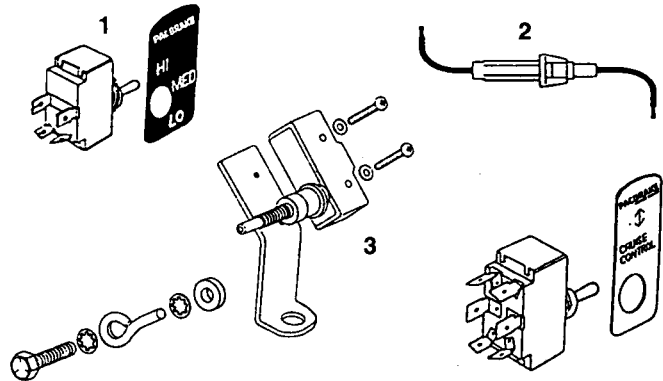
### P34720 MECHANICAL GROUP

#	PART #	DESCRIPTION	QTY
1	P03776	TOGGLE SWITCH ASSEMBLY	1
2	P01300	FUSE HARNESS	1
3	P01495	CLUTCH SWITCH ASSEMBLY	1
Ni.	P00828CT	HARNESS	1



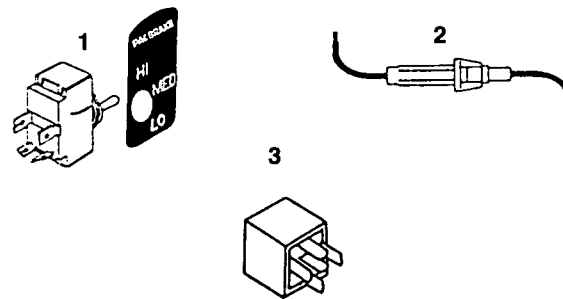
### P34721 PEEC II GROUP

#	PART #	DESCRIPTION	QTY
1	P03776	TOGGLE SWITCH ASSEMBLY	1
2	P01300	FUSE HARNESS	1
3	P34631	SWITCH-CATERPILLAR PEEC III	1
Ni.	P00829CT	HARNESS	1



### P34722 PEEC III GROUP

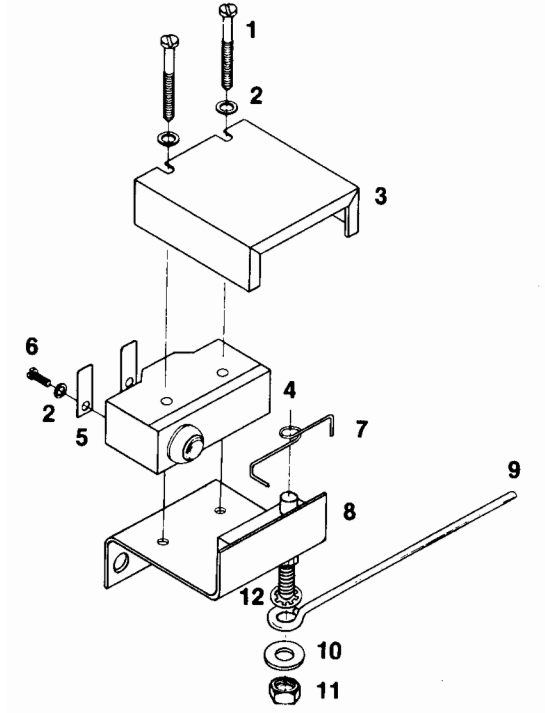
#	PART #	DESCRIPTION	QTY
1	P03776	TOGGLE SWITCH ASSEMBLY	1
2	P01300	FUSE HARNESS	1
3	P60045	RELAY-12 VOLT	1
Ni.	P00830CT	HARNESS	1



# CONTROL SYSTEM PARTS

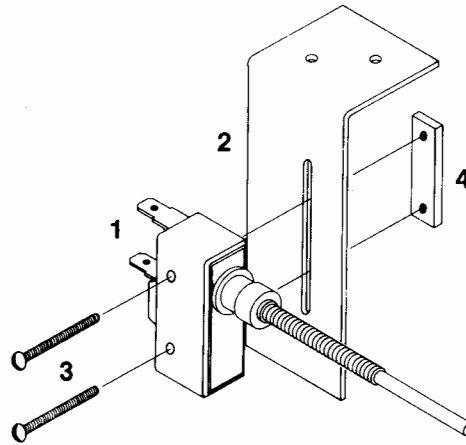
## P01495 CLUTH SWITCH ASSEMBLY

#	PART #	DESCRIPTION	QTY
1	P01244	MACHINE SCREW	2
2	P01559	LOCK WASHER	4
3	P01506	SWITCH COVER	1
4	P01218	SWITCH	1
5	P01040	TERMINAL	2
6	P01558	MACHINE SCREW 6-32 X 1/4	2
7	P01497	SWITCH SPRING	1
8	P02198	BRACKET & LEVER ASSEMBLY	1
9	P02183	SWITCH LEVER	1
10	P02190	FLAT WASHER-1/4"	1
11	P02186	NUT-1/4" HEX NF	1
12	P02191	LOCK WASHER	1



## P12261-T CLUTH SWITCH ASSEMBLY

#	PART #	DESCRIPTION	QTY
1	P12246T	WOBBLE SWITCH	1
2	P12269	MOUNTING BRACKET	1
3	P02744	MACHINE SCREW 6-32X1 RH	2
4	P01531	SWITCH BRACKET	1



### WARM-UP SWITCH ASSEMBLY



1. C11304 SWITCH -

2. C11305 PLATE -

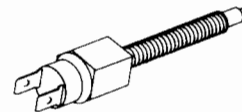
### P03776 SWITCH ASSEMBLY -



1. P03586 SWITCH -

2. P03777 PLATE -

### \*P17470 THROTTLE SWITCH (INCLUDED IN BASE KIT)



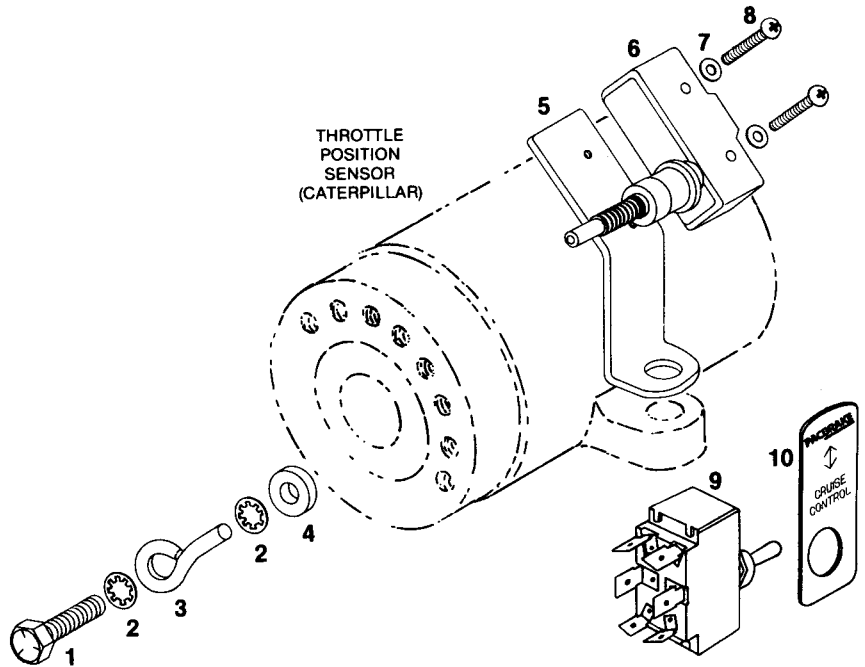
\*P13373 OPTIONAL THROTTLE SWITCH (EXTERNAL MOUNTING TYPE FOR USE WHEN P17470 INTERNAL TYPE CANNOT BE USED).



# CAB CONTROL SYSTEM PARTS

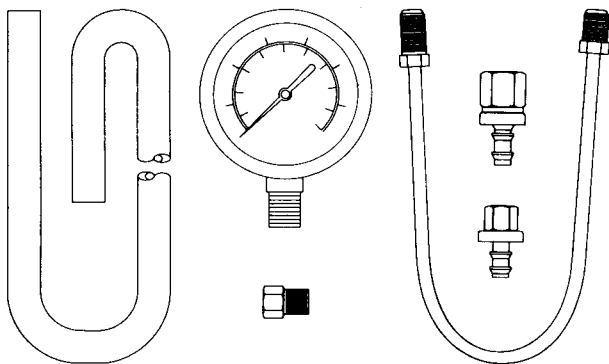
## PEEC GROUP P34631 FOR PEEC II SYSTEM

#	PART #	DESCRIPTION	QTY
1	P34637	SCREW	1
2	P02191	LOCK WASHER	2
3	P34636	ARM	1
4	P34638	SPACER	1
5	P34634	BRACKET - SWITCH	1
6	P34633	WOBBLE SWITCH	
7	P01559	LOCK WASHER	2
8	P34632	SCREW	2
9	P34639	SWITCH	1
10	P34641	SWITCH PLATE-CRUISE CONTROL	1

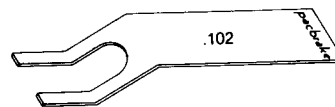


## SERVICE TOOLS - MUST BE ORDERED SEPARATELY

**C10600 TEST GAUGE KIT -**



**P34675 .102 FEELER GAUGE -**



**P11494 SOLENOID WRENCH -**

