

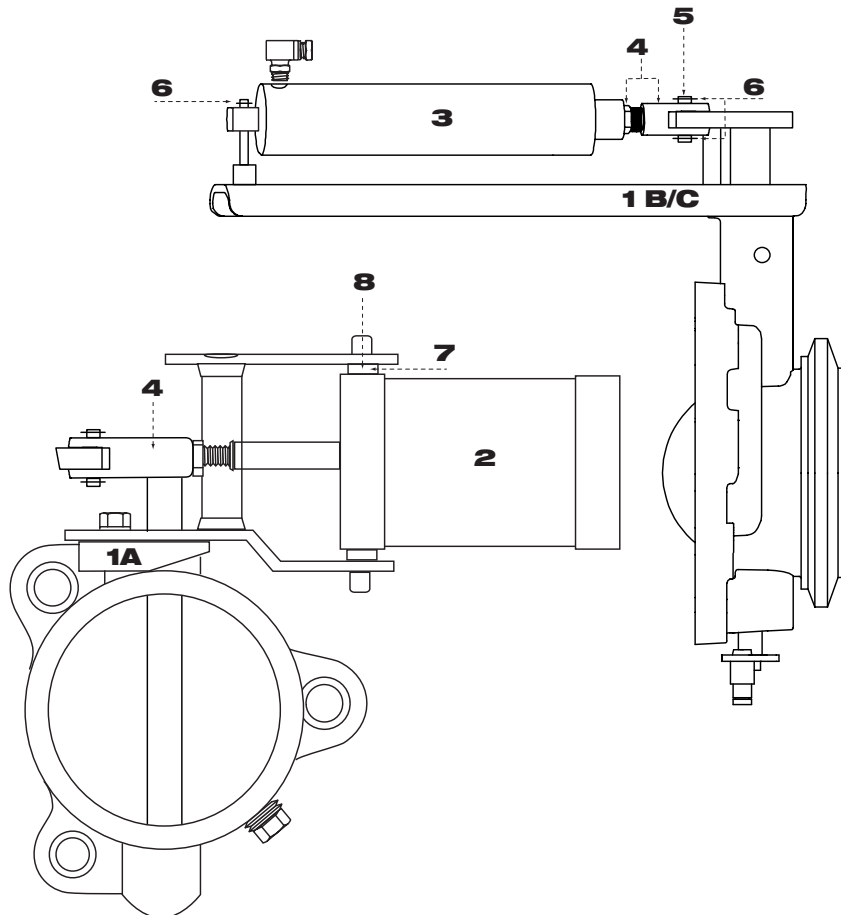
FORD TRUCKS

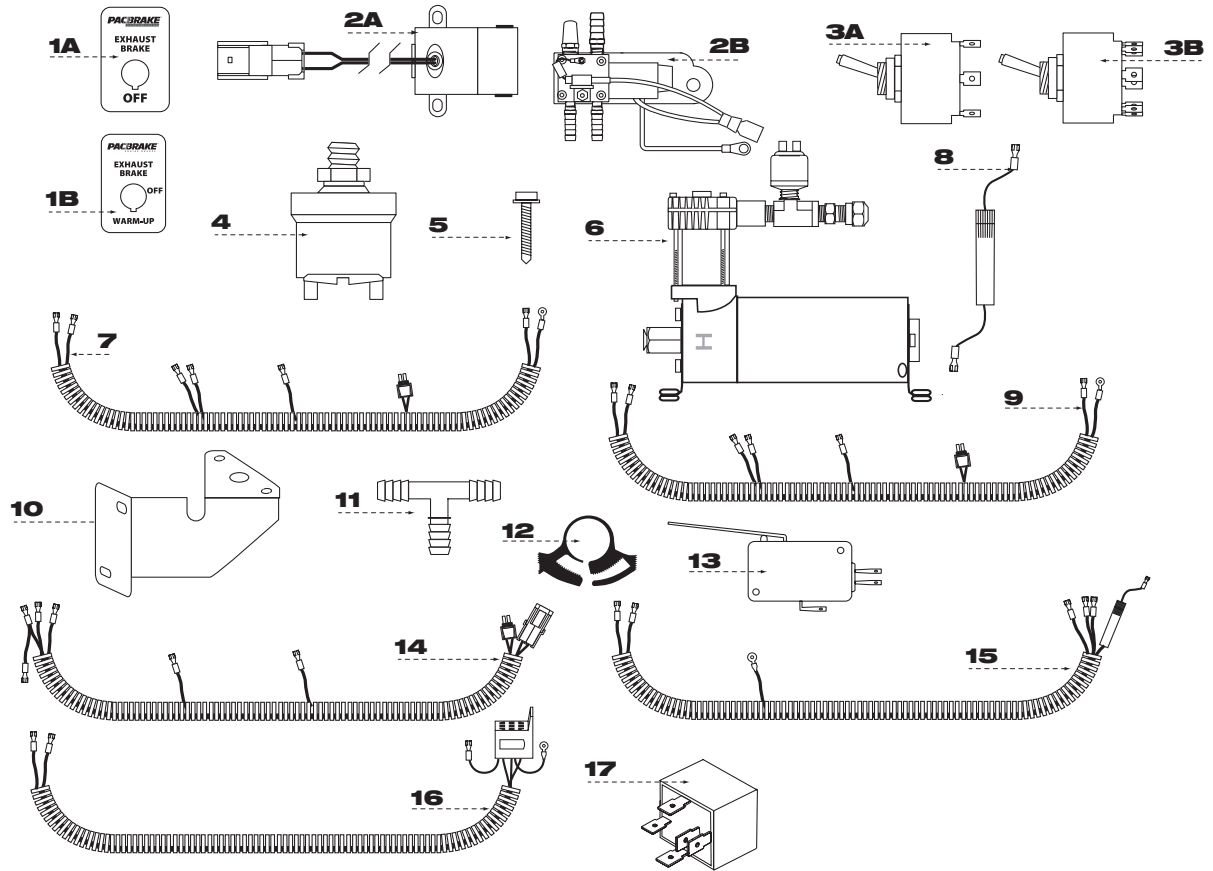
AETERMKT KIT #	DESCRIPTION	BRAKE #	CONTROL GROUP	MOUNTING GROUP
C15000	'95 '97 POWERSTROKE	C10380	C11900	C11905
C20000	'99 POWERSTROKE W/PROD. DATE 11/98 OR EARLIER	C10383	C11989	C11742
*C20001	'99 POWERSTROKE W/PROD. DATE 12/98 & LATER	C10386	C11754	C11759
C20002	'99/'03 POWERSTROKE W/PROD. DATE 12/98 & LATER	C10376	C11989	C11965

*C20001 WAS REPLACED BY C20002 JAN 2000.

ILLUST. #	PART #	DESCRIPTION	QTY/C10380	QTY/C10383/C10386/C10376
1 (A,B,C,)	NA	BRAKE HOUSING	NA	NA
2	C11828	VACUUM CYLINDER	1	0
3	C10585	AIR CYLINDER	0	1
4	C11825	CLEVIS & LOCK NUT	1	0
4	C10588*	CLEVIS SMALL	0	1
4	C10589*	LOCK NUT SMALL	0	1
5	C11826	CLEVIS PIN	1	0
5	C10587*	CLEVIS PIN SMALL	0	1
6	C11827	E-CLIP	2	3
7	C11882	STEP WASHER	2	0
8	C11883	PIVOT BOLT	2	0

*AIR CYLINDER MODELS ONLY.





QUANTITY INCLUDED IN EACH SUBGROUP

ILL. #	PART #	DESCRIPTION	C11731	C11742	C11754	C11759	C11900	C11905
1A	C10315	SWITCH PLATE	0	1	0	1	0	0
1B	C11894	SWITCH PLATE	0	1	0	1	0	0
2A	C11933	SOLENOID & BRACKET	0	1	0	1	0	0
2B	C11949	SOLENOID ASSY	0	0	0	0	0	1
N.I.	C10570	1/8" NPT FITTING	1	0	1	0	0	0
N.I.	C10572	1/4" NPT FITTING	1	0	1	0	0	0
N.I.	C10576	1/4" NPT X #4 TUBE FITTING	1	0	1	0	0	0
3A	C11304	LIGHTED SWITCH 2 - POSITION	0	1	0	1	0	0
3B	C11951	LIGHTED SWITCH 3 - POSITION	0	0	0	0	1	0
4	C11560	PRESSURE SWITCH	1	0	1	0	0	0
	C20102	COMPRESSOR MOUNTING SCREWS	4	0	4	0	0	0
6	C11896	COMPRESSOR	1	0	1	0	0	0
N.I.	C11737	1/8" NPT TEE	1	0	1	0	0	0
7	C11738	MAIN HARNESS PRE 11/98	0	1	0	0	0	0
8	C11741	POWER SUPPLY HARNESS	0	1	0	1	0	0
9	C11748	MAIN HARNESS 12/98 AND LATER	0	0	0	1	0	0
N.I.	C11796	90 DEG. 1/8" NPT X #4 TUBE	1	0	1	0	0	0
10	C11810	THROTTLE SWITCH BRACKET	0	0	0	0	1	0
11	C11831	VACUUM TEE	0	0	0	0	0	1
N.I.	C11867	STRAIGHT BARBED FITTING	0	0	0	0	0	1
N.I.	C11868	90 DEG. BARBED FITTING	0	0	0	0	0	1
12	C11870	SMALL HOSE CLAMP	0	0	0	0	0	4
N.I.	C11888	VACUUM HOSE 7/32" X 26"	0	0	0	0	0	2
N.I.	C11889	VACUUM HOSE 11/32" X 9"	0	0	0	0	0	1
13	C11891	THROTTLE SWITCH	0	1	0	1	1	0
14	C11892	MAIN HARNESS	0	0	0	0	0	1
15	C11893	POWER SUPPLY HARNESS	0	0	0	0	1	0
16	C11971	CRUISE CONTROL HARNESS	0	1	0	1	1	0
	P60045	RELAY	0	1	0	1	1	0
N.I.	C10668	NYLON TUBE 8'	0	0	0	0	0	0



Need to know more ... 800-663-0096 www.pacbrake.com

Pacbrake® and Direct Mount® are registered trademarks of Pacbrake Company. Other trademarks used herein are property of their respective holders. Printed in Canada.

L1019.100505