

# P-39B

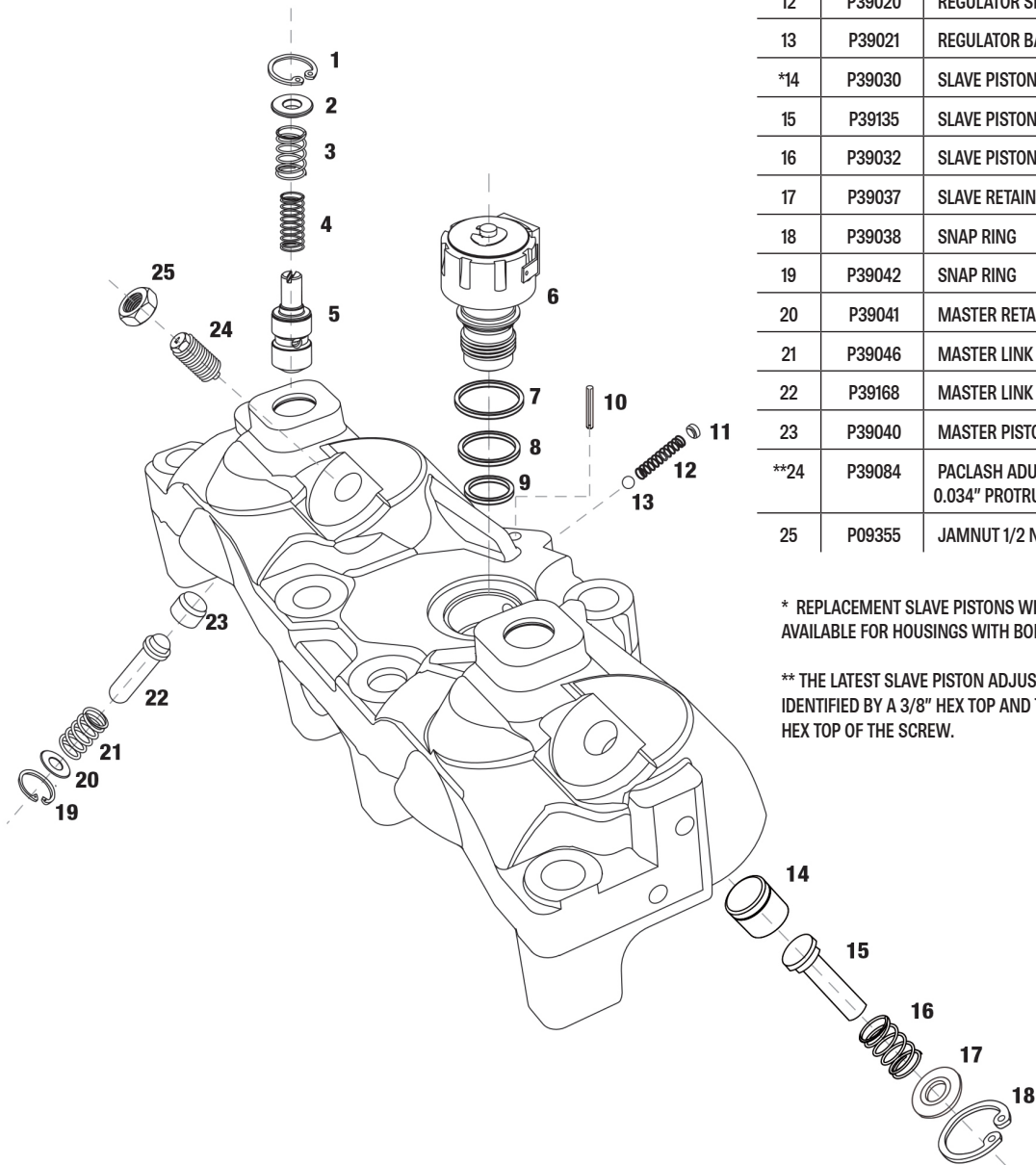
## ENGINE BRAKE PARTS GUIDE

APPLICATION | CATERPILLAR C-15/C-16 3406E ENGINES

**/// PAC /// BRAKE**<sup>®</sup>

# P-39B - P39008 HOUSING ASSEMBLY

#	PART #	DESCRIPTION	QTY
1	P15561	SNAP RING	2
2	P38015	WASHER	2
3	P11434	OUTER CONTROL VALVE SPRING, WHITE	2
4	P11435	INNER CONTROL VALVE SPRING, NATURAL	2
5	P01500	CONTROL VALVE	2
6	P39015	SOLENOID 12VOLT D/L	1
7	P01081	SOLENOID SEAL-UPPER	1
8	P01082	SOLENOID SEAL-CENTER	1
9	P01083	SOLENOID SEAL-LOWER	1
10	P39022	REGULATOR SPRING PIN	1
11	P39023	REGULATOR RETAINER	1
12	P39020	REGULATOR SPRING	1
13	P39021	REGULATOR BALL	1
*14	P39030	SLAVE PISTON, 1.250" O.D.	2
15	P39135	SLAVE PISTON LINK	2
16	P39032	SLAVE PISTON SPRING	2
17	P39037	SLAVE RETAINER, RED	2
18	P39038	SNAP RING	2
19	P39042	SNAP RING	2
20	P39041	MASTER RETAINER	2
21	P39046	MASTER LINK SPRING, NATURAL	2
22	P39168	MASTER LINK	2
23	P39040	MASTER PISTON , 0.812" O.D.	2
**24	P39084	PAFLASH ADJUSTING SCREW, 0.034" PROTRUSION	2
25	P09355	JAMNUT 1/2 NF	2

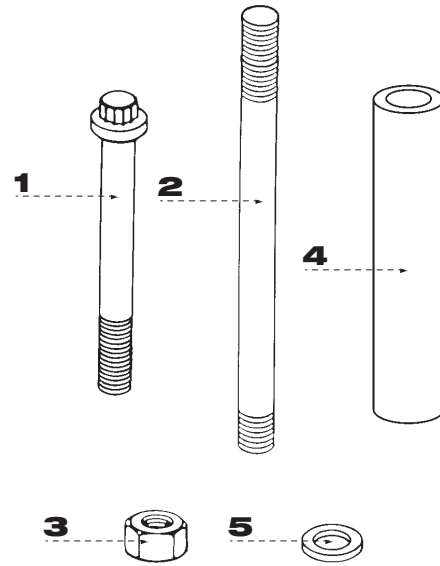


\* REPLACEMENT SLAVE PISTONS WITH SEAL RINGS ARE AVAILABLE FOR HOUSINGS WITH BORE WEAR. P39106 (6 PACK)

\*\* THE LATEST SLAVE PISTON ADJUSTING SCREW P39084 IS IDENTIFIED BY A 3/8" HEX TOP AND THE LETTER "P" ON THE HEX TOP OF THE SCREW.

## ATTACHING GROUP

#	PART #	DESCRIPTION	QTY
1	P39072	CAPSCREW-P39 SERIES	12
2	P39077	STUD-P39	3**
3	P39073	NUT-HEAVY HEX	3**
4	P39048	SUPPORT TUBE - P39	3**
5	P39074	WASHER-P39	12



## OPTIONAL ITEMS

#	PART #	DESCRIPTION	QTY
1	P60125	SWITCH PLATE	1
2	P02957	TOGGLE SWITCH-1/2/3	1
3	P01305	SWITCH PLATE-OFF	1
4	P01304	TOGGLE SWITCH - ON/OFF	1
5	P11494	SOLENOID SOCKET	1

