

Installation

PROCEDURES

PAGE 1/1

SUBJECT

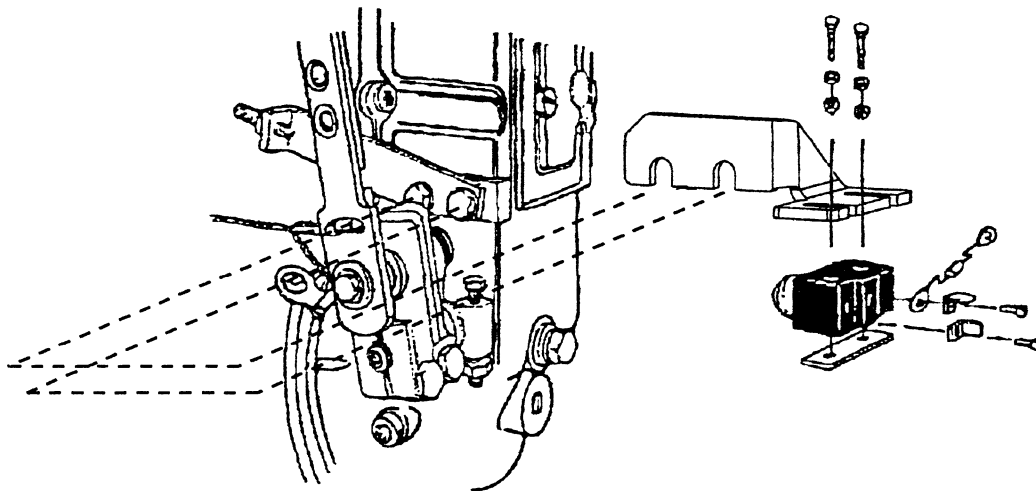
THROTTLE SWITCH INSTALLATION

APPLICATION

CUMMINS 8.3 MECHANICAL ENGINES

Installation Procedures

1. Loosen both throttle stop bracket screws.
2. Position the Pacbrake switch assembly behind the stop bracket and slide it down over the loosened screws.
3. Hold the bracket assembly and tighten capscrews. CAUTION: Depending on the number of brackets used at this location, one or both of the capscrews may have to be replaced for longer ones.
4. Loosen switch mounting screws and reposition switch to make positive contact with the throttle arm. This adjustment must close or “click” the switch with sufficient pressure while not causing more than 1/16” overtravel (overpressure). Tighten screws, cycle the throttle and listen for “click” each time throttle returns to idle.



PACBRAKE[®]
ENGINE & EXHAUST BRAKES