

Product INFORMATION

APRIL 2001

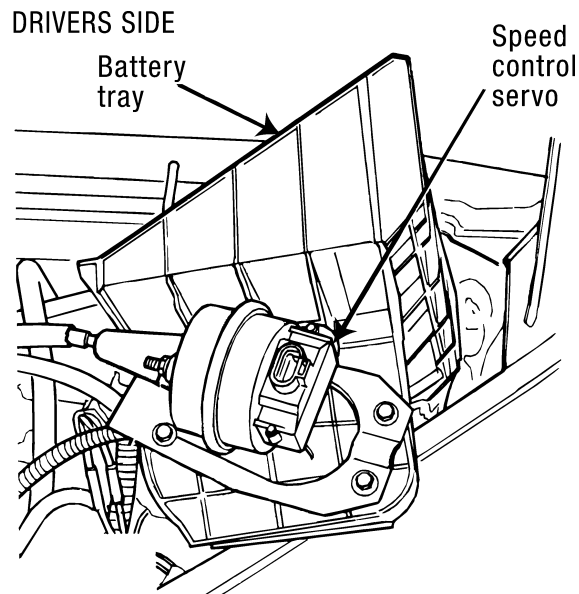
PAGE 1/1

SUBJECT

C14024 PACBRAKE EXHAUST BRAKE

Recent changes by Chrysler to some 2001 model year Dodge Ram trucks has made it necessary to use only the C14024E/C14025 kit on these vehicles. The change is only to High Output 6 speed manual transmissions models. Chrysler may convert other models over in the future.

The cruise control activation system on these models does not move the accelerator pedal to disable the Pacbrake throttle switch. This can allow the exhaust brake to be on when the cruise tries to accelerate the vehicle. The C14024E/C14025 interfaces with the vehicle's ECU and eliminates the possibility of the exhaust brake being applied when the cruise is activated. To determine if your vehicle is affected, you must establish if it has a cruise control servo (see diagram). If the vehicle has the servo then a C14024 is an option, if no servo exists then you must install the C14024E/C14025. Failure to install the correct kit may cause exhaust brake or engine damage.



Pacbrake Service

PACBRAKE[®]
ENGINE & EXHAUST BRAKES