

Installation PROCEDURES

SUBJECT

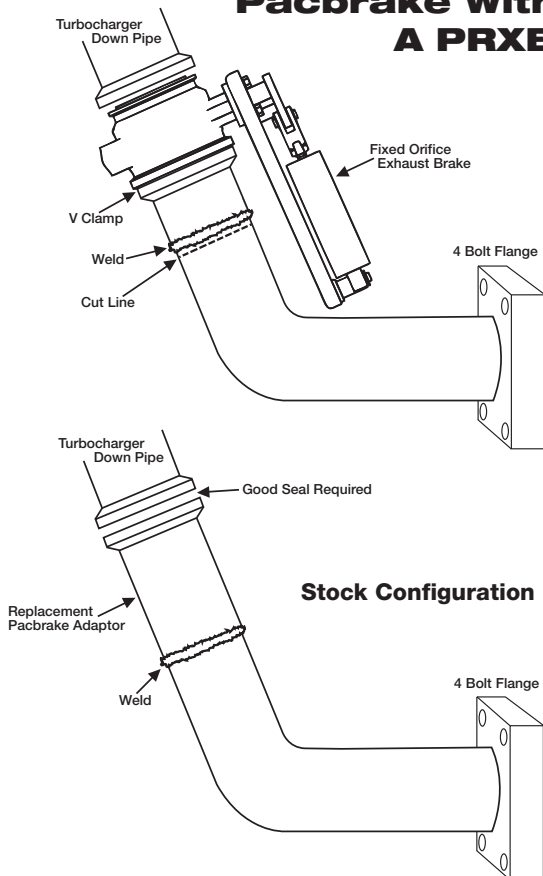
DURAMAX UPGRADE KIT

PART NUMBER

C40072

APPLICATION

Replacing A Fixed Orifice Pacbrake With A PRXB



This kit is required when removing a fixed orifice Pacbrake and replacing it with a PRXB (pressure regulated) inline mount exhaust brake or removing a fixed orifice exhaust brake to convert the exhaust system back to stock.

The adaptor provided in this kit is designed to replace the piece cut off the factory header pipe from when the fixed orifice exhaust brake was originally installed.

Procedure:

1. Remove the header pipe from the vehicle, this requires removal of the 4 bolts at the flange and the "V" clamp on the backside of the fixed orifice exhaust brake.
2. Remove the support brace from the transmission to the Pacbrake anchor bracket. Disconnect the air line to the air cylinder. Remove the "V" clamp on the forward side of the exhaust brake, remove the exhaust brake.
3. At the weld behind the adaptor cut the adaptor off the header pipe. Check to make sure the replacement adaptor is long enough prior to cutting.
4. Using the "V" clamp and adaptor supplied in the kit attach the adaptor to the end of the turbo down pipe. Make sure the flange on the turbo down pipe is clean and aligned properly to create a good seal.
5. Insert the header pipe into the exhaust system; reinstall the 4 bolts at the flange.
6. Check the alignment of the exhaust system and the adaptor into the header pipe, adjust as necessary. Tack weld the replacement adaptor in place, remove for final welding.

If changing up from a fixed orifice Pacbrake to a PRXB inline exhaust brake, follow steps 8, 9, & 10 in the manual supplied for instructions on installing the brake. It is easier to cut the exhaust pipes in the vehicle starting from the rear of the vehicle.