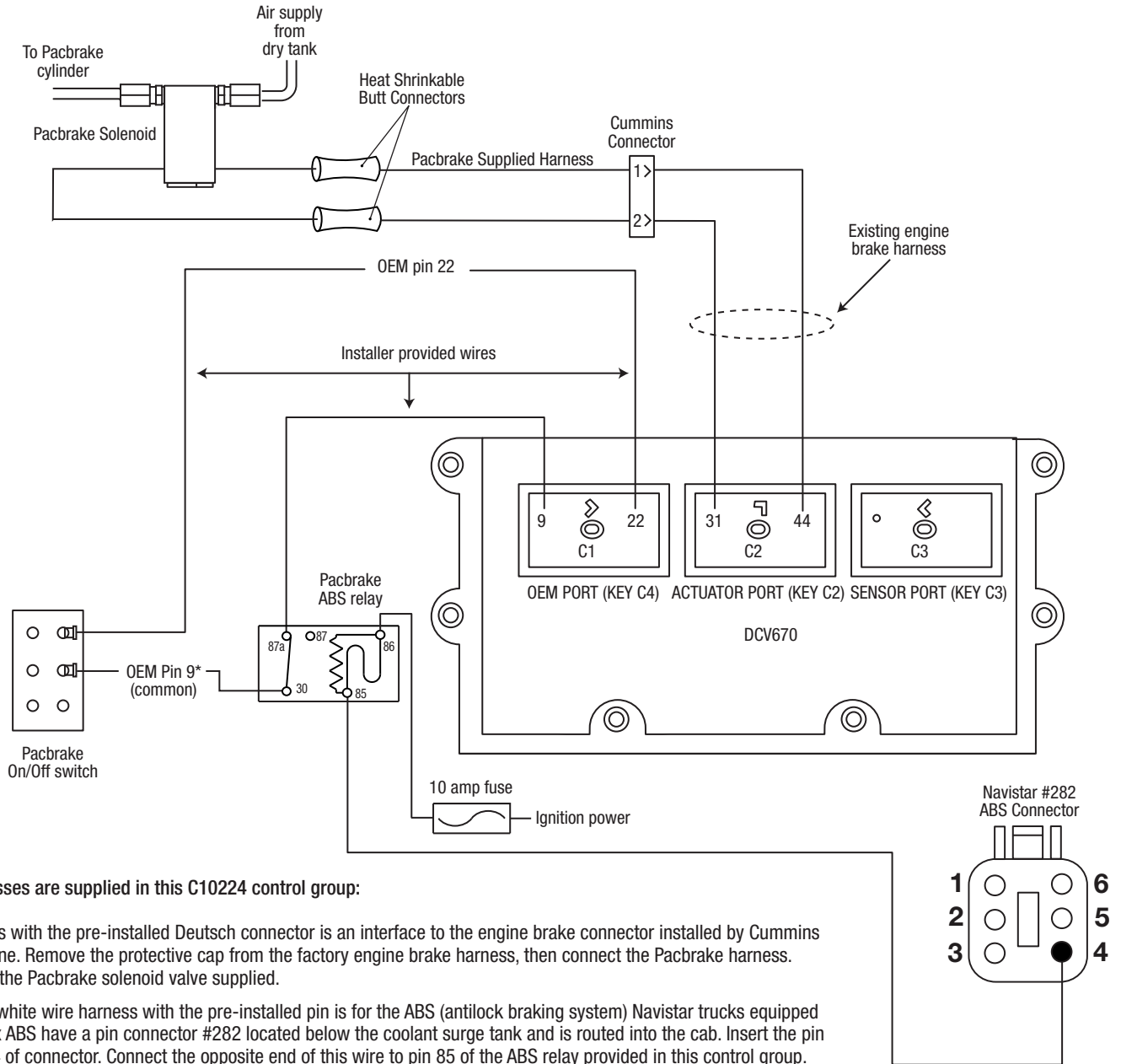


PACBRAKE EXHAUST BRAKE WIRING SCHEMATIC FOR:

CUMMINS ISM with DV670 Engine ECU

For vehicles (without) Allison WT Transmission (with) ABS braking (with) on-board air system



Two harnesses are supplied in this C10224 control group:

The harness with the pre-installed Deutsch connector is an interface to the engine brake connector installed by Cummins on the engine. Remove the protective cap from the factory engine brake harness, then connect the Pacbrake harness. Connect to the Pacbrake solenoid valve supplied.

The single white wire harness with the pre-installed pin is for the ABS (antilock braking system) Navistar trucks equipped with Bendix ABS have a pin connector #282 located below the coolant surge tank and is routed into the cab. Insert the pin into port #4 of connector. Connect the opposite end of this wire to pin 85 of the ABS relay provided in this control group.

NOTE:

- *Pin 10 or 19 can be used as alternates to Pin 9 for common ground.
- OEM port pin #9 to on/off switch.
- OEM port pin #22 from on/off switch.
- Actuator port pin #44 to Pacbrake solenoid (either wire at solenoid).
- Actuator port pin #31 to Pacbrake solenoid (remaining wire at solenoid).
- Vehicles without ABS disregard ABS relay installation.
- Relay shown is de-energized.
- Information for this schematic was derived from vehicle systems at the date of this printing.
- Updates or variations by vehicle manufacturers constituting changes will not be the responsibility of Pacbrake.

