

Installation Manual

PACPRO



HP10253 KIT

*2004-2017 Ford F-150 2WD/4WD
2" Leveling Kit*

800.663.0096
www.pacbrake.com



KIT CONTENT



KIT CONTENTS

- A** Upper Strut Spacer (2)
- B** M10 x 1.5 Flange Nut (6)
- C** M10 x 1.5 x 40mm Socket Head Cap Screw (6)

Make sure all the items shown in the photo are provided in your kit before starting the installation.

Thank you and congratulations on the purchase of a Pacbrake leveling kit. Please read the entire manual prior to starting the installation to ensure you can complete it once started.

SAFETY WARNING

Altering the suspension system of your vehicle may cause it to handle differently than it did from the factory. Larger wheel and tire combinations may increase the leverage on the suspension, and steering components. This changes the way your vehicle handles and responds to abrupt maneuvers. Operate your vehicle at reduced speeds in all conditions to prevent loss of control. Failure to do so may result in serious injury. Pacbrake does not recommend the combined use of suspension lifts, body lifts, or other lifting methods.

INSTALLATION WARNING

Use caution when disassembling, and reassembling the vehicle. The proceeding instructions are guidelines only, the installer is responsible for ensuring that the vehicle is safe for use after performing the installation.

Suspension components that use rubber or urethane bushings should be tightened with the vehicle at normal ride height. This will prevent premature wear or failure of the bushing. Prevent the suspension components from overextension by supporting them with a jack.

Due to the suspension geometry and vehicle tolerances, the amount of lift is a base figure. **Spacer thickness does not equate to the amount of lift due to the suspension geometry.** For example, a 1" thick spacer may provide a 2" lift. Always measure the vehicle ride height at all 4 corners before and after installation to ensure the results are as expected.

WHEEL ALIGNMENT AND HEADLIGHT ADJUSTMENT

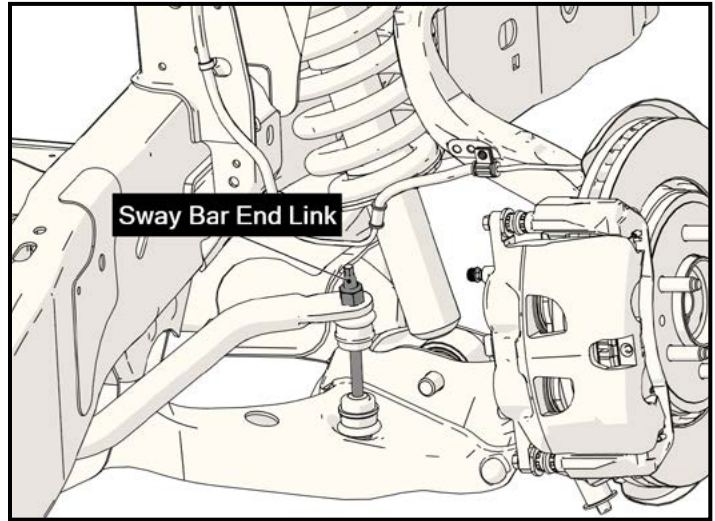
It is necessary to have a proper and professional wheel alignment performed by a certified alignment technician to align the vehicle to factory specifications. After the installation is complete, check to ensure that the vehicles head lamps are aimed properly. If not, a head light alignment is required.

1 RAISE THE FRONT AXLE

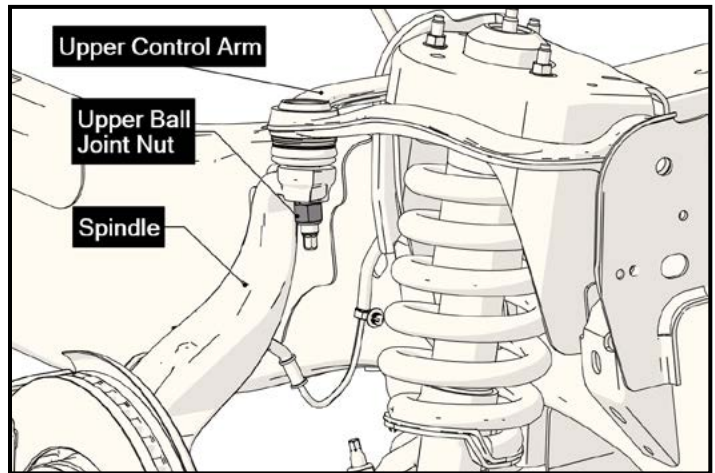
- Park the vehicle on a level surface.
- Place wheel chocks in front and behind both rear wheels.
- Raise the front of the truck high enough to remove both wheels and attain a comfortable working height.
- Place two jack stands under the frame.
- Lower the floor jack until the vehicle frame is supported by the jack stands.
- Once the front of the vehicle is raised correctly, remove the front wheels.

NOTE: The following diagrams show the passenger's side front suspension on a 2011 Ford F-150. The tie rod has been hidden to improve clarity, earlier models may vary.

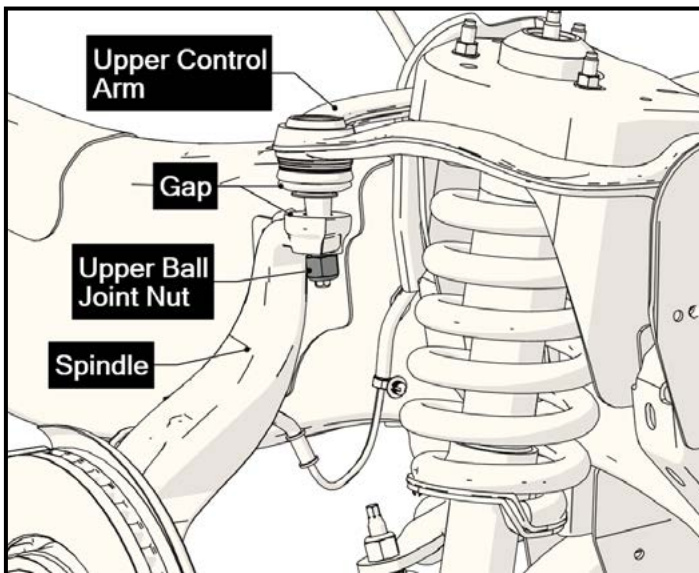
- 2** Disconnect the sway bar end links on both sides of the vehicle. (See figure 2).
- 3** Loosen the nut on the upper ball joint and leave it attached to the screw. (See figure 3).
- 4** Separate the spindle from the upper control arm by carefully striking the spindle with a mallet to release the ball and joint seating. (See figure 4).
- 5** Support the lower control arm with a jack. Push down the upper control arm and remove the upper ball joint nut. (See figure 5).
- 6** Remove the lower strut mounting hardware. (See figure 6).



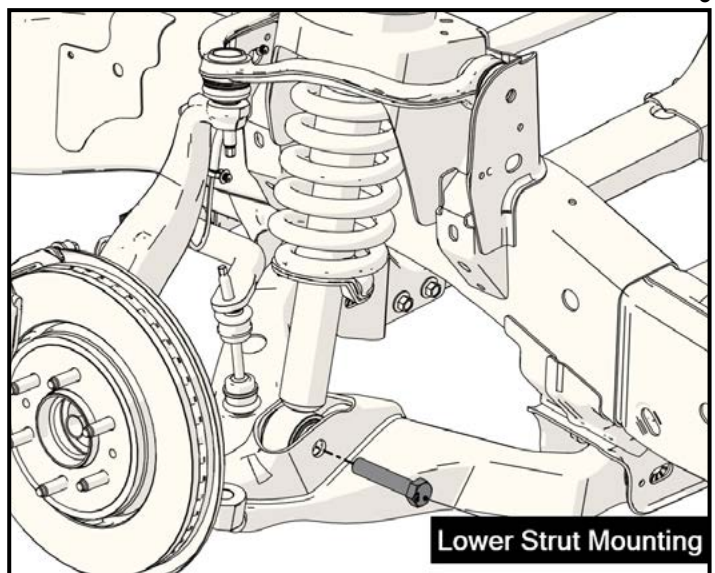
2



3

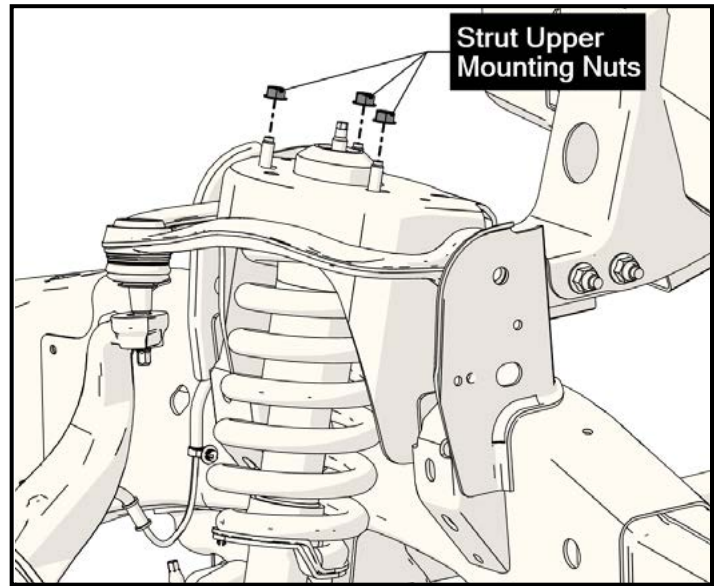


4



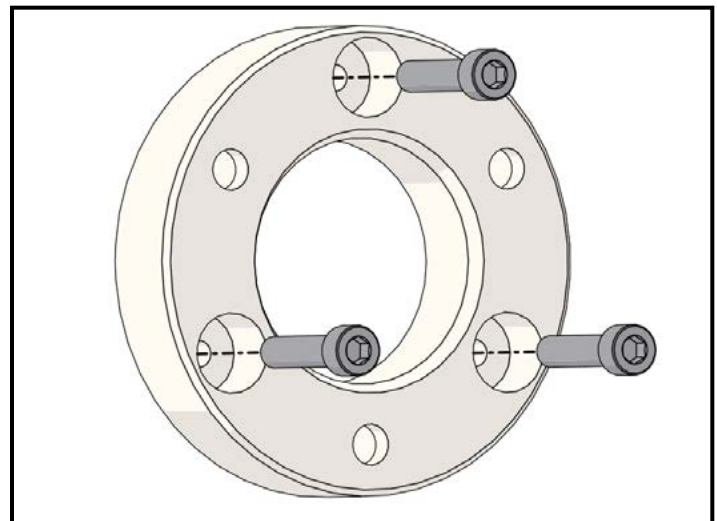
6

7 Remove the three nuts that attach the upper strut to the strut tower. Slightly lower the lower control arm and remove the strut out of the vehicle. (See figure 7).



7

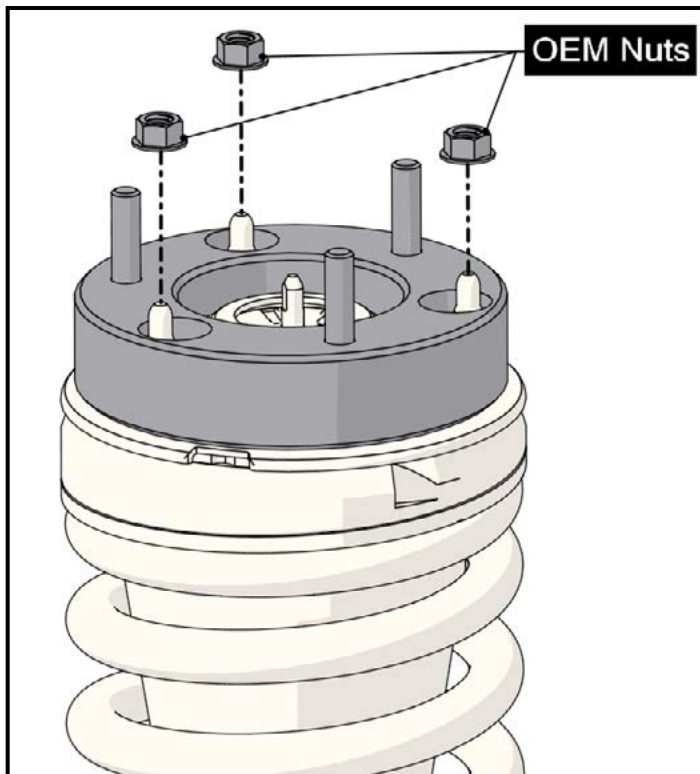
8 Locate the spacer and three M10 Socket Head Cap Screws provided in the kit. Thread all three screws into the spacer block as shown in figure 8 and **torque them to 10 ft-lbs (14 N•m).**



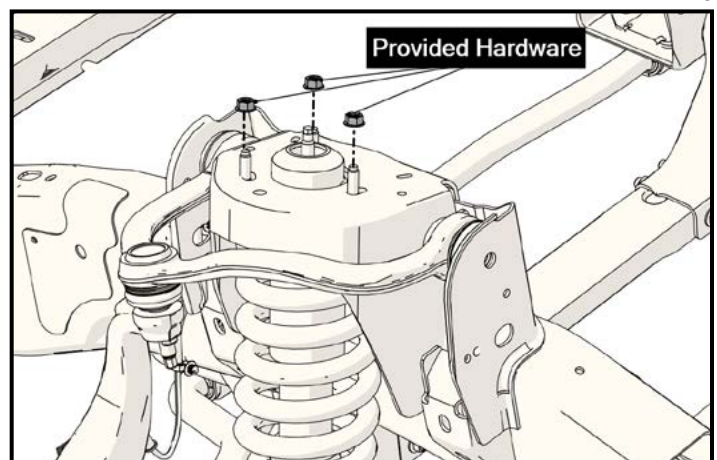
8

9 Place the spacer block assembly on top of the strut and fasten it to the strut using the OEM nuts. **Torque all three nuts to manufacturer's specification as outlined in the vehicle service manual.** (See figure 9).

10 Rotate the strut assembly so that the studs on the spacer line up with the clearance holes in the strut tower. Reinstall the strut assembly into the vehicle. Use the provided nuts to fasten the strut to the frame. **Torque the nuts to 45 ft-lbs (61 N•m).** (See figure 10).

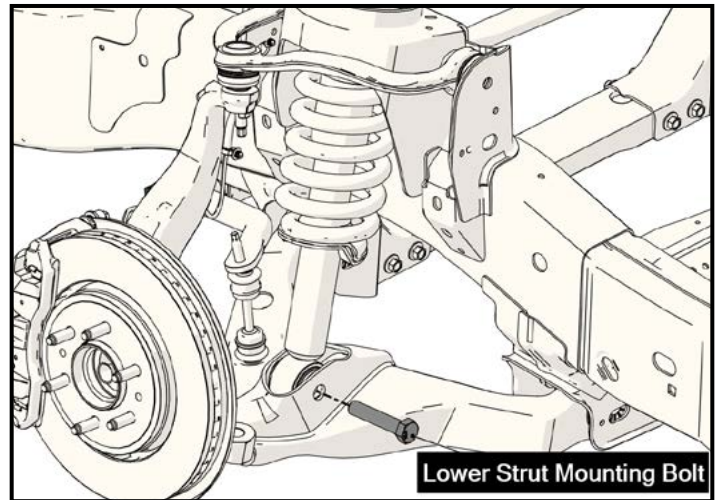


9



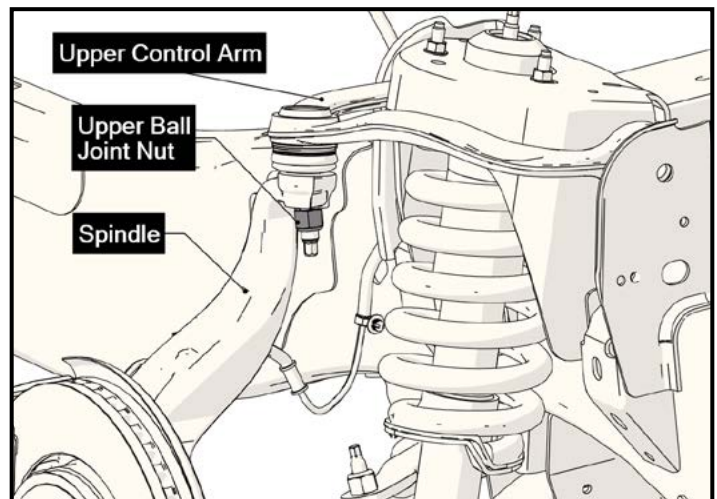
10

- 11** Raise the lower control arm and reinstall the lower strut mounting bolt as shown in figure 11. **Torque it according to the manufacturer's specifications as outlined in the vehicle service manual.**



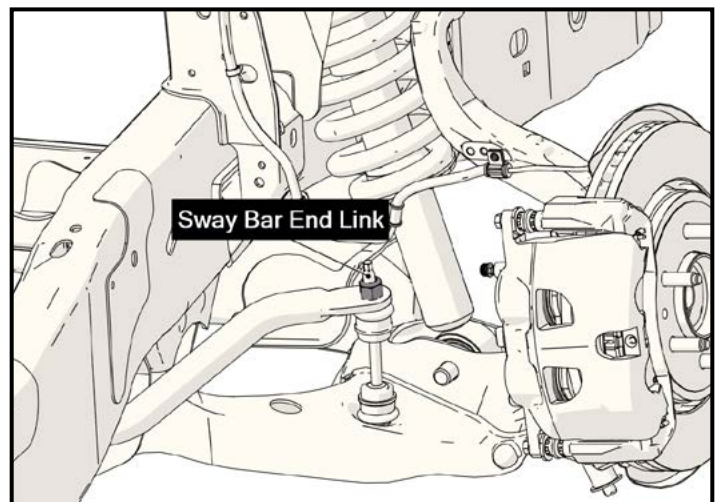
11

- 12** Use a jack to raise the suspension and reconnect the upper ball joint nut. **Torque the nut to the manufacturer's specifications.** (See figure 12).



12

- 13** Reattach the sway bar end link. **Torque it according to the manufacturer's specifications as outlined in the vehicle service manual.** (See figure 13).



13

- 14** The installation for this side is complete. Reinstall the wheel and re-torque it to the manufacturer's specifications. Complete steps 3 to 14 for the other side.

POST INSTALLATION WARNING

Once the installation is complete and the vehicle is lowered to the ground, check all parts which have rubber or urethane components to ensure proper torque. Move the vehicle backwards and forwards a short distance to allow suspension components to adjust. Turn the front wheels completely left then right and verify adequate tire, wheel, brake line, and ABS wire clearance. Test and inspect steering, brake and suspension components. Inspect brake/ABS lines for adequate slack at full extension. Failure to perform the post installation checks may result in vehicle damage.

VEHICLE HANDLING WARNINGS

Larger wheel and tire combinations may increase the leverage on the suspension, and steering components. Increasing the height of your vehicle increases the likelihood of rollover or loss of control during abrupt manoeuvres, especially at high speeds. Operate your vehicle at reduced speeds in all conditions to prevent loss of control. Failure to do so may result in serious injury.

WHEEL ALIGNMENT AND HEADLIGHT ADJUSTMENT

It is necessary to have a proper and professional wheel alignment performed by a certified alignment technician to align the vehicle to factory specifications. After the installation is complete, check to ensure that the vehicles head lamps are aimed properly. If not, a head light alignment is required.

VEHICLE RE-TORQUE AND SAFETY INSPECTION

Upon completion of all services and adjustments performed on your vehicle, and within 50 miles of driving, check to ensure all fasteners and hardware are properly torqued to specification as noted in the vehicles factory service manual.

WARRANTY

To be eligible for warranty, the owner must submit their warranty card or register online within 30 days of the purchase date.