

# Compressor Specifications



**Pacbrake's heavy duty 425 Series compressors have a 50% duty cycle for wherever the road takes you.**

## HP425 SERIES AIR COMPRESSORS

Pacbrake's HP425 series air compressors have a 50% duty cycle [30 min on/30 min off] and are offered in 12 VDC. These ¼ horsepower compressors utilize an oil-less design, sealed bearings, a PTFE piston ring, a copper wire wound permanent magnet motor and a hard anodized aluminum sleeve.

- High temperature sealed bearings
- PTFE piston rings (Oil-less design)
- Hard anodized aluminum cylinder sleeve
- Copper wire wound permanent magnet motor
- Check valve to prevent hard start-up
- Mountable in any orientation
- Thermal switch limit 221°F (105°C), Auto reset at 185°F (85°C)
- Crank case mounted air filter, IP52 (Remote, IP67)

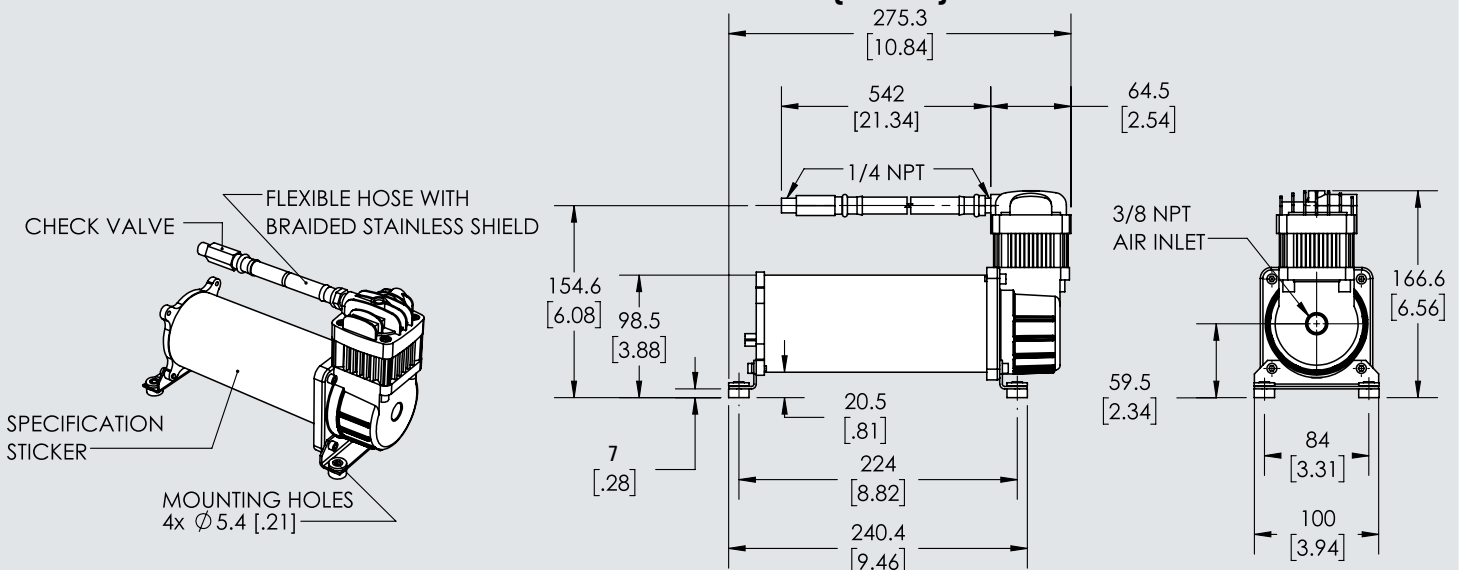


**HP10300**  
**HP425 12 VDC AIR COMPRESSOR**  
**Duty Cycle:** 50% [30 min on / 30 min off]  
**Max Working Pressure:** 200psi [1379 kPa]  
**Voltage:** 12 VDC  
**Size:** 10.8" x 3.9" x 6.6" (LxWxH)  
 [275 mm x 100 mm x 167 mm]  
**Weight:** 10.26 lbs [4.65 kg]



**HP10300-B**  
**HP425 12 VDC AIR COMPRESSOR**  
**Duty Cycle:** 50% [30 min on / 30 min off]  
**Max Working Pressure:** 200psi [1379 kPa]  
**Voltage:** 12 VDC  
**Size:** 10.8" x 3.9" x 6.6" (LxWxH)  
 [275 mm x 100 mm x 167 mm]  
**Weight:** 10.26 lbs [4.65 kg]

## HP425 SERIES AIR COMPRESSOR DIMENSIONS IN MILLIMETERS (INCHES)



## HP425 12 VDC SPECIFICATIONS

### GENERAL DATA

<b>PART NUMBER</b>	Chrome [HP10300], Black [HP10300-B]
<b>WEIGHT</b>	10.26 lbs [4.65 kg]
<b>AMBIENT TEMPERATURE RANGE</b>	-40°F to 158°F [-40°C to 70°C]
<b>MAX DUTY CYCLE</b>	50% [30 min on / 30 min off]

### PNEUMATIC DATA

<b>RATED FLOW</b>	1.75 SCFM [0.05 m <sup>3</sup> / min]
<b>MAX WORKING PRESSURE</b>	200psi [1379 kPa]
<b>MAX CONTINUOUS RUN TIME</b>	30 min
<b>MAX CURRENT</b>	23 A

### ELECTRICAL MOTOR DATA

<b>OPERATING VOLTAGE</b>	12 VDC ± 15%
<b>NOMINAL POWER</b>	.25 hp [0.18 kW]
<b>NOMINAL VOLTAGE</b>	12 VDC

*\*Operating life may be dependent on application*

## HP425 12 VDC TANK FILL TIME

TANK SIZE	TANK PART #	0 to 100 psi	100 to 150 psi
½ Gallon	HP10053	24 seconds	21 seconds
2½ Gallon	HP10050	135 seconds	110 seconds
5 Gallon	HP10094	255 seconds	230 seconds

HP425 12 VDC - CURRENT AND FLOW RATE VS. PRESSURE (13.8 VDC)

