

Installation Manual



10647 KIT

2.5" Coil Spring Base Lift Kit Jeep Wrangler JL / JLU*

Designed to increase vehicle ride height and reduce squat due to heavy accessories while maintaining on road comfort and response.

* See application guide for proper fitment.



WARNING: This product can expose you to the chemical Hexavalent Chromate, which is known to the State of California to cause cancer and birth defects or other reproductive harm. *For more information go to www.P65Warnings.ca.gov*

Thank you and congratulations on the purchase of a Jeep Coil Spring Kit. Please read the entire manual prior to starting the installation to ensure you can complete it once started.

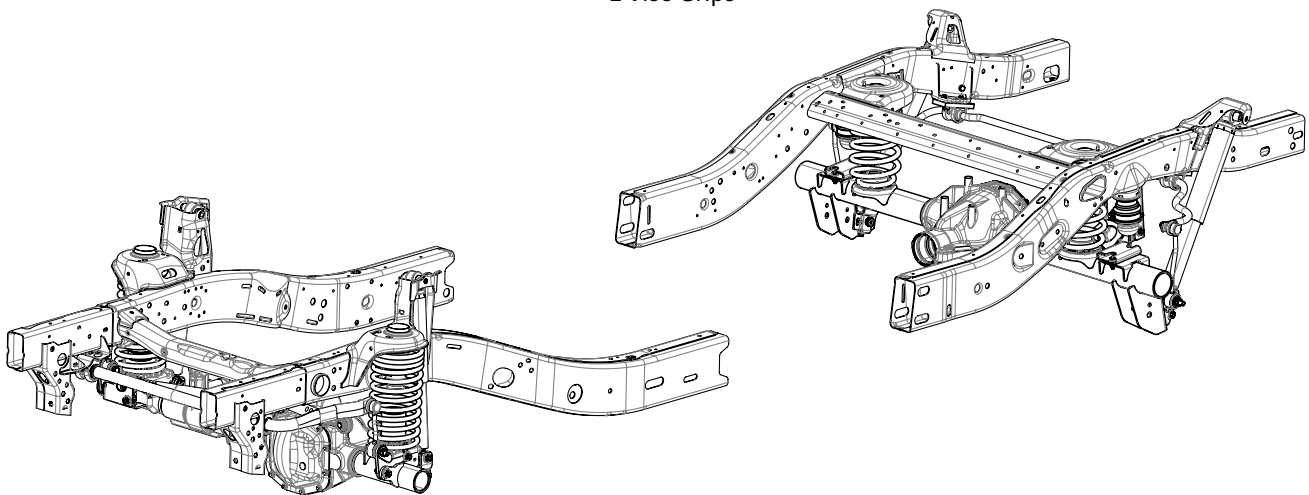
KIT CONTENTS

This kit is broken down into digestible subgroups for an easier installation.

Please make sure all the items shown in the individual kit layouts are provided in your kit before starting the installation.

REQUIRED TOOLS FOR INSTALLATION

- Hoist or Floor Jack
- Safety Stands
- Wheel Chocks
- Safety Glasses
- Cordless Drill
- Center Punch
- Small Mallet
- 2 Vise Grips
- Ratchet
- Torque Wrench
- Metric & Standard Combination Wrenches
- Metric & Standard Sockets
- 1/8", 7/16", 1/2" Diameter Drill
- Utility Knife
- Flat Head Screwdriver



NOTES:

1. FITMENT GUIDE:
 - I. 2018 - 2023 JEEP WRANGLER JL/JLU, EXCLUDING MODELS WITH 3.0L ECODIESEL ENGINES
 - II. IT IS RECOMMENDED THAT A CUSTOM DOUBLE CARDAN FRONT DRIVE SHAFT AND CUSTOM FRONT DRIVE SHAFT TRANSFER CASE YOKE BE INSTALLED TO ELIMINATE OEM JOINT BIND ON 4xe MODELS
2. RIDE HEIGHT CAN VARY DEPENDING ON ENGINE CONFIGURATION AND ACCESSORIES FITTED
3. KIT HAS BEEN DESIGNED FOR A MAXIMUM TIRE SIZE OF 35X12.5
4. FRONT BUMP STOP EXTENSION REQUIREMENTS:
 - I. RUBICON TRIM OR MODELS WITH 6.4L V8 → DO NOT INSTALL SPACER
 - II. SPORT AND SAHARA WITH 3.6L OR 2.0L GAS → INSTALL SPACER

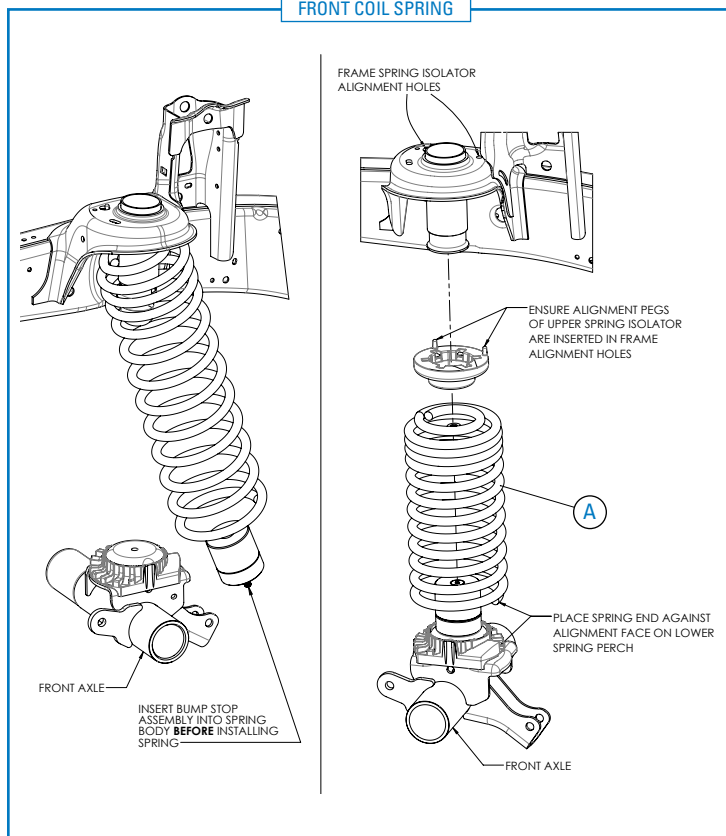
*MAXIMUM 35" DIAMETER TIRES CAN BE INSTALLED WITHOUT INTERFERENCE WITH WHEEL LINERS
5. COMPONENTS WITH RUBBER OR URETHANE BUSHINGS MUST BE TORQUED WITH VEHICLE AT NORMAL RIDE HEIGHT
6. ALL COMPONENTS SHOULD BE CHECKED FOR PROPER TIGHTNESS AND TORQUE AFTER THE FIRST 160 km [100 miles] AND EVERY 4800 km [3000 miles] AFTER INITIAL INSPECTION
7. A PROFESSIONAL WHEEL ALIGNMENT PERFORMED BY A CERTIFIED TECHNICIAN IS REQUIRED TO ALIGN THE VEHICLE TO FACTORY SPECIFICATIONS
8. FACTORY HEADLAMP AIMING PROCEDURE MUST BE PERFORMED TO REALIGN HEADLAMPS
9. DRAWING FOR REPRESENTATION ONLY, NOT FOR MANUFACTURING

COIL SPRINGS

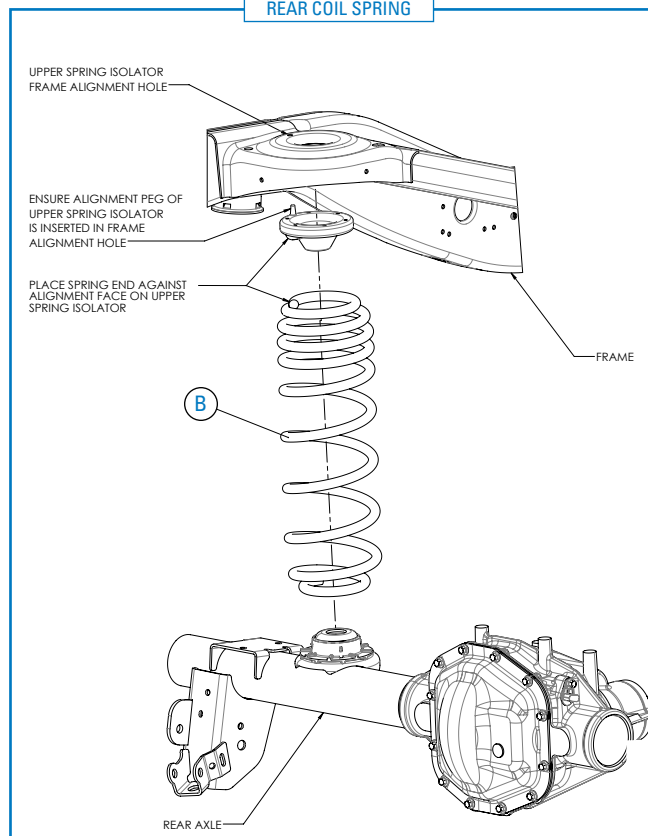


Coil Springs		QTY	PART #
A	Front	2	HP1953
B	Rear	2	HP1965

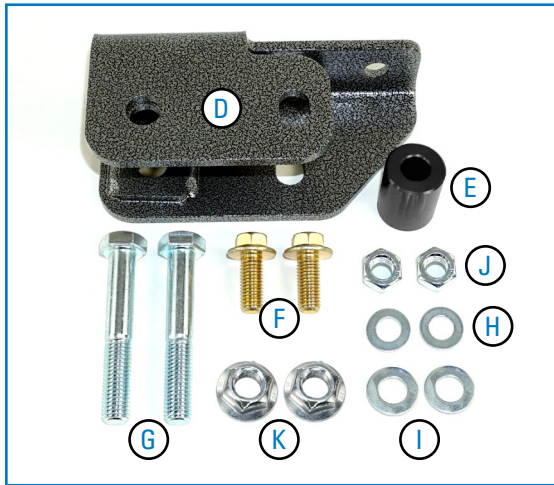
FRONT COIL SPRING



REAR COIL SPRING

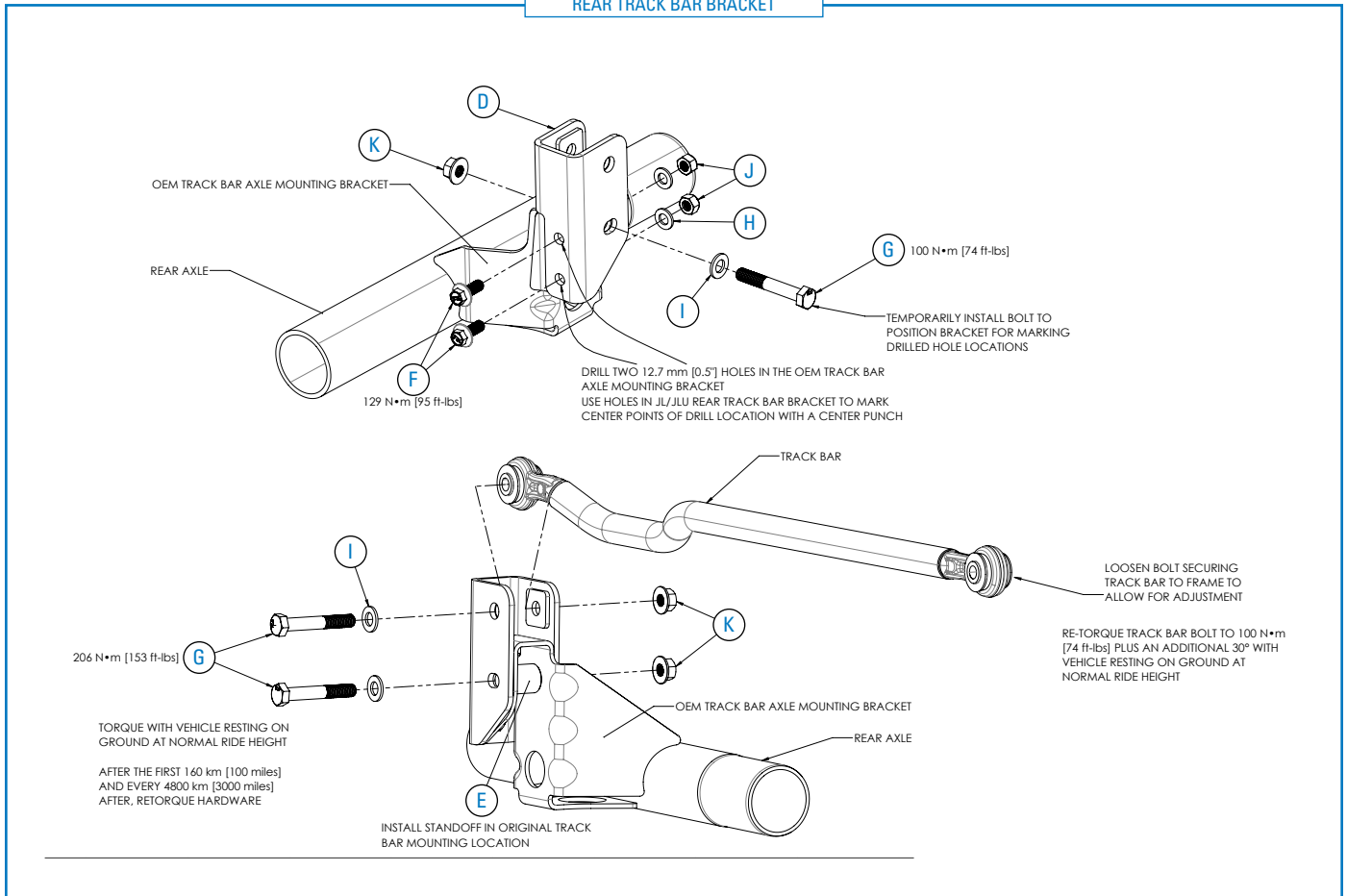


SUBGROUP HP1900: Rear Track Bar Relocation

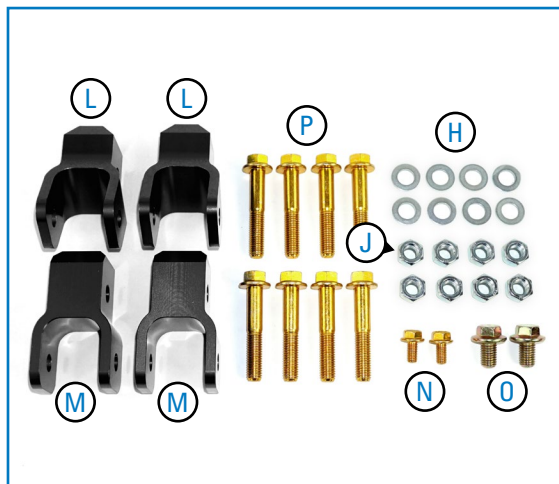


HP1900 Contents		QTY	PART #
D	Bracket, Rear Track Bar	1	HP1816
E	Spacer, Rear Track Bar	1	HP1809
F	Bolt, M12 x 1.75 x 30mm Flange Head	2	HP1817
G	Bolt, M14 x 2 x 90mm Hex Head	2	HP1465
H	Washer, M12 Flat	2	HP1818
I	Washer, M14 Flat	2	HP1466
J	Nut, M12 x 1.75 Nylon Lock	2	HP1575
K	Nut, M14 x 2 Top Lock Flange	2	HP1872

REAR TRACK BAR BRACKET

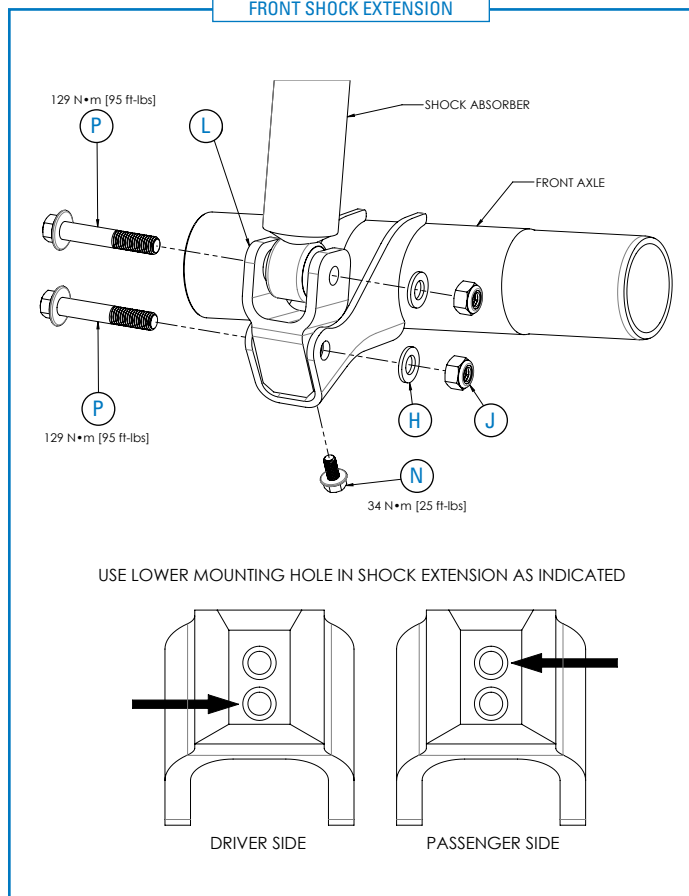


SUBGROUP HP1901: Shock Extensions

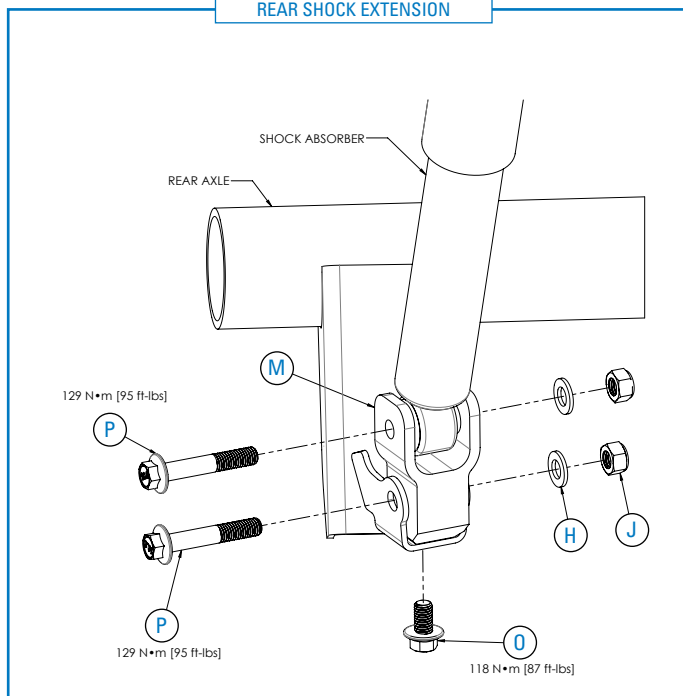


HP1901 Contents		QTY	PART #
L	Shock Extension, Front	2	HP1782
M	Shock Extension, Rear	2	HP1783
N	Bolt, M8 x 1.25 x 16mm Flange Head	2	HP1790
O	Bolt, M12 x 1.75 x 20mm Flange Head	2	HP1793
P	Bolt, M12 x 1.75 x 70mm Flange Head	8	HP1794
H	Washer, M12 Flat	8	HP1818
J	Nut, M12 x 1.75 Nylon Lock	8	HP1575

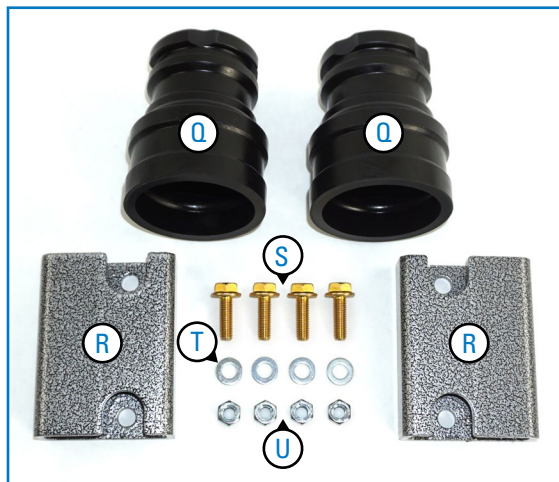
FRONT SHOCK EXTENSION



REAR SHOCK EXTENSION

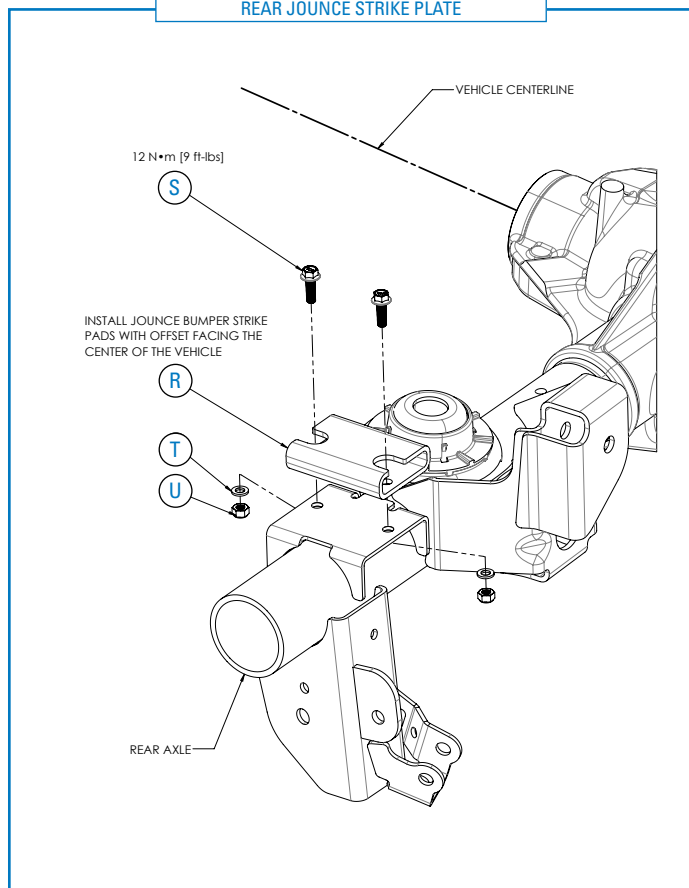


SUBGROUP HP1902: Rear Bump Stop Extension

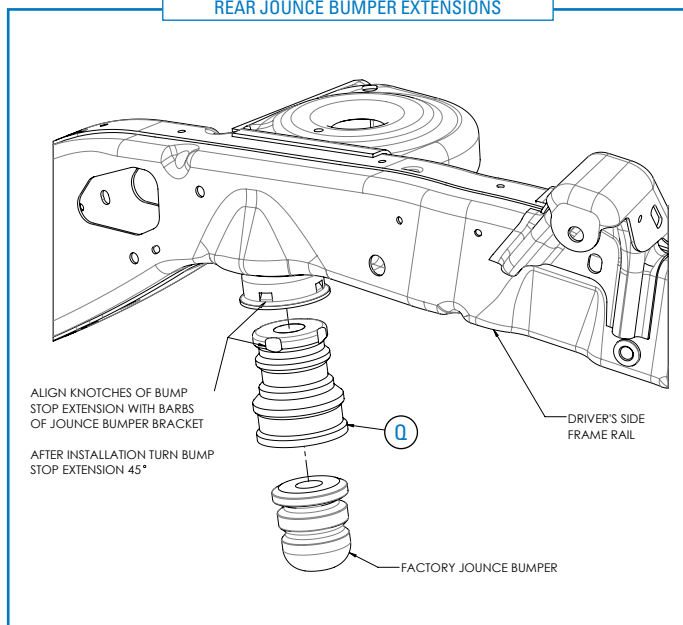


HP1902 Contents		QTY	PART #
Q	Rear Jounce Bumper Extension	2	HP1956
R	Rear Jounce Strike Plate	2	HP1960
S	Bolt, M8 x 1.25 x 25mm Flange	4	HP1430
T	Washer, M8 Flat	4	C10473
U	Nut, M8 - 1.25 Nylon Lock	4	C11377

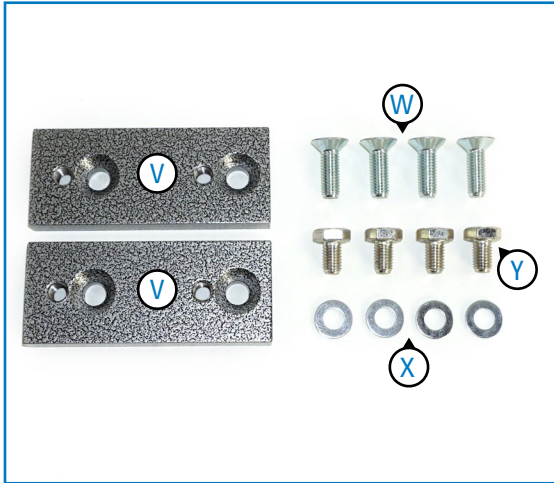
REAR JOUNCE STRIKE PLATE



REAR JOUNCE BUMPER EXTENSIONS

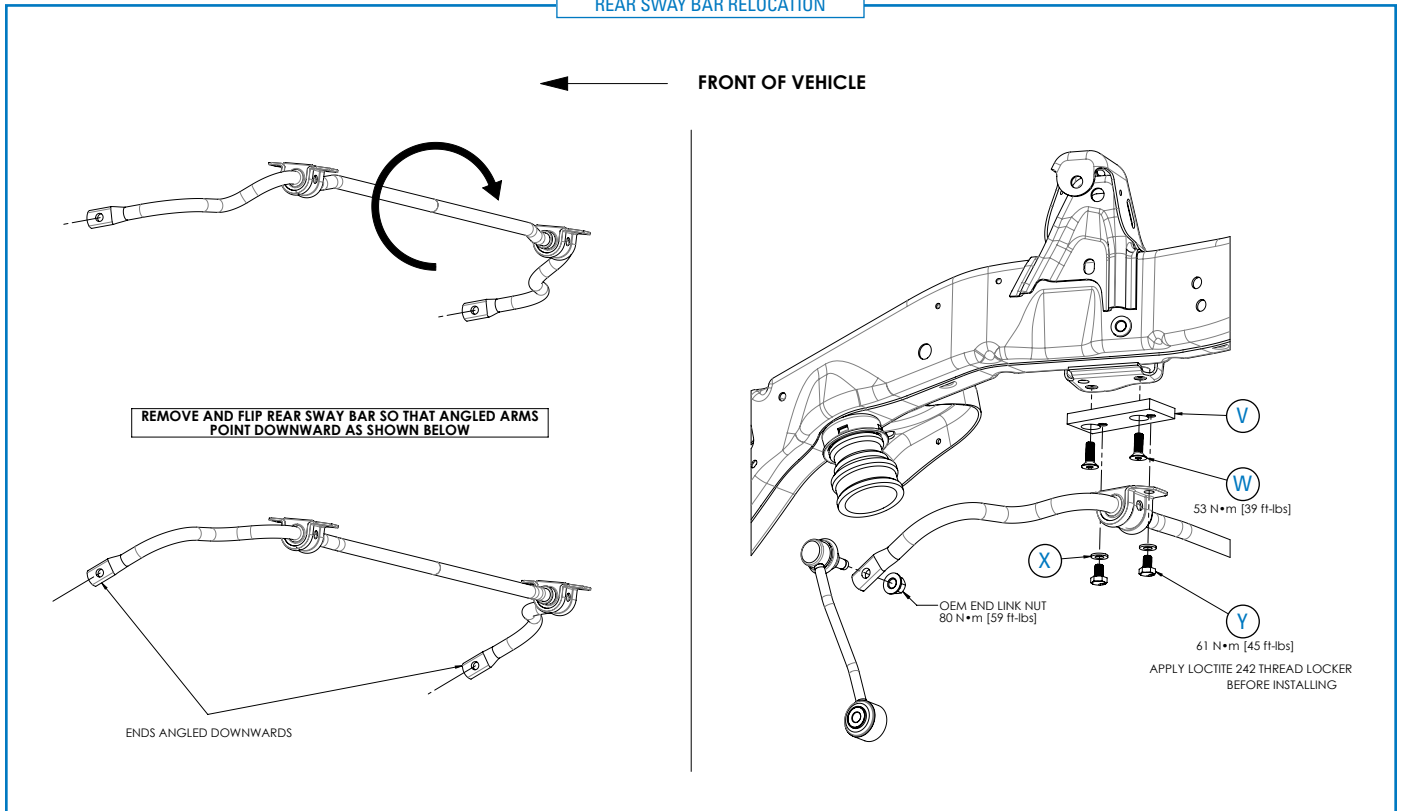


SUBGROUP HP1903: Rear Sway Offset Spacer

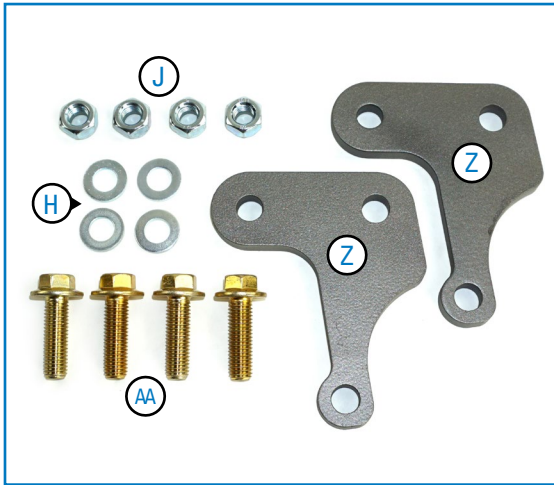


HP1903 Contents		QTY	PART #
V	Sway Bar Offset Spacer	2	HP1958
W	Bolt, M10 x 1.5 x 30mm Flat Head	4	HP1962
X	Washer, M10 Flat	4	HP1573
Y	Bolt, M10 x 1.5 x 16mm Hex Head	4	HP1959
	24205 Blue Locktite (not shown)	1	M3575

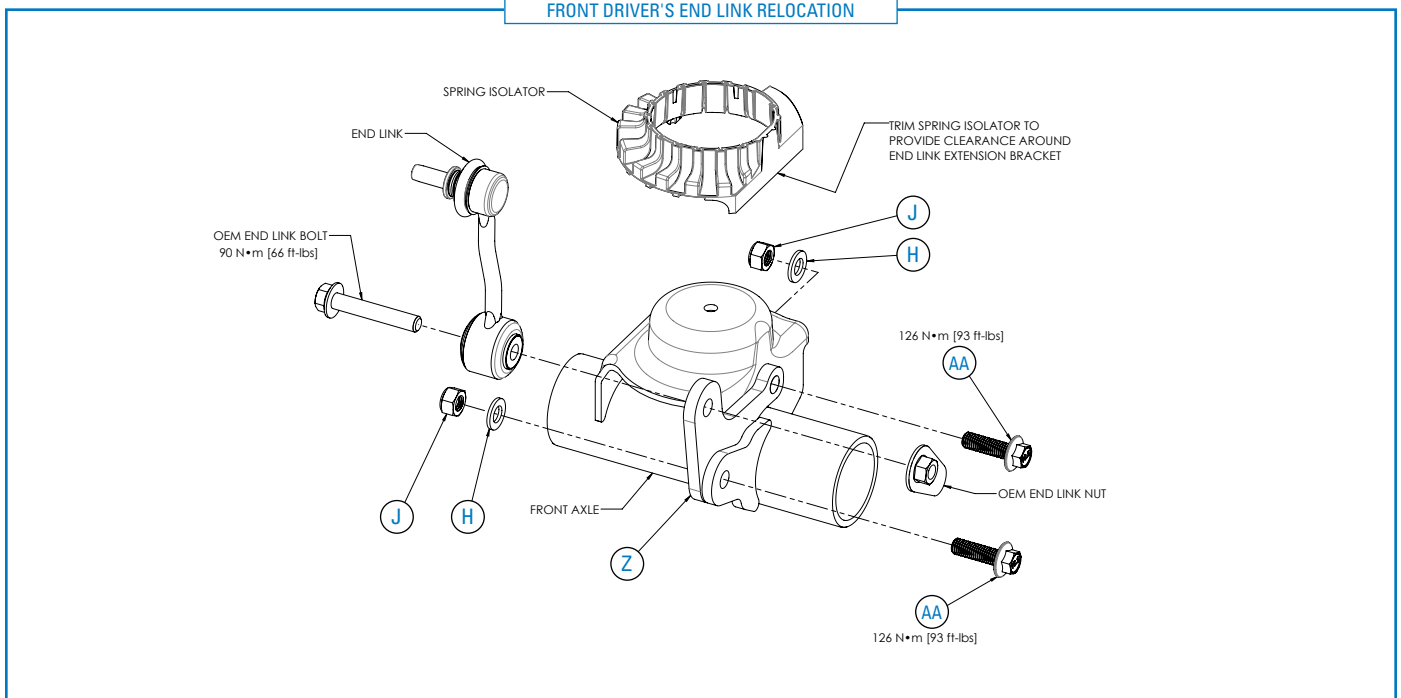
REAR SWAY BAR RELOCATION



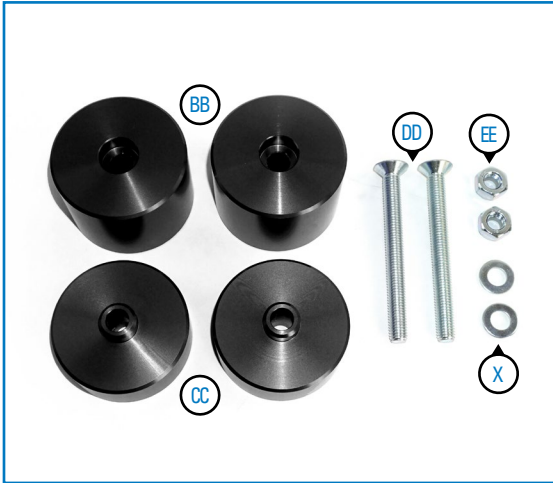
SUBGROUP HP1904: Front End Link Extension



HP1904 Contents		QTY	PART #
Z	Bracket, End Link Extension	2	HP1813
AA	Bolt, M12 x 1.75 x 40mm Flange Head	4	HP1828
H	Washer, M12 Flat	4	HP1818
J	Nut, M12 x 1.75 Nylon Lock	4	HP1575



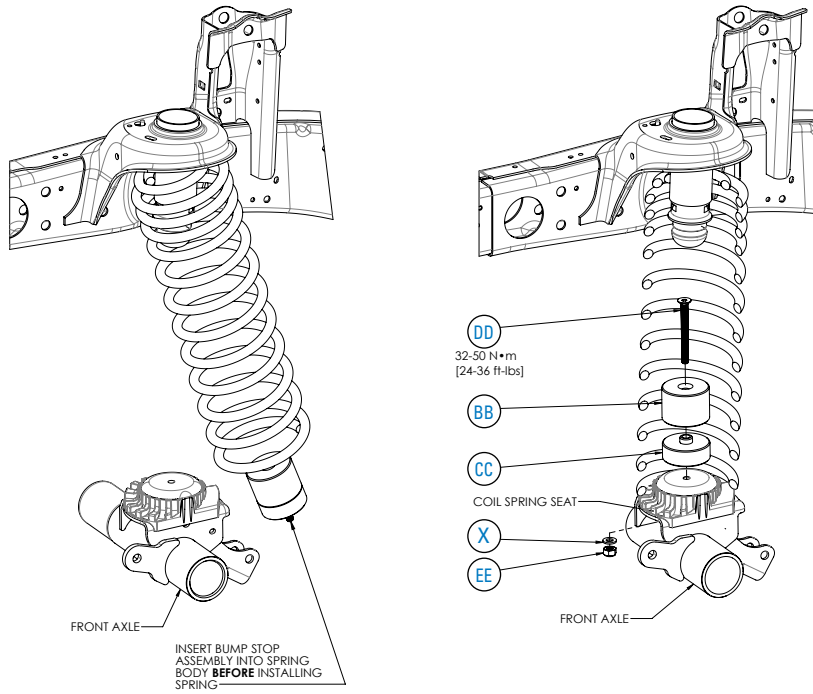
SUBGROUP HP1905: Front Bump Stop Extension



HP1905 Contents		QTY	PART #
BB	Bump Stop Extension, Front	2	HP1784
CC	Bump Stop Extension Spacer*	2	HP1785
DD	Bolt, M10 x 1.5 x 100mm Flat Head	2	HP1792
EE	Nut, M10 - 1.5mm, Nylon Nut	2	HP1574
X	Washer, M10 Flat	2	HP1573

* Not for use with Rubicon models or models equipped with 6.4L V8

FRONT BUMP STOP EXTENSION



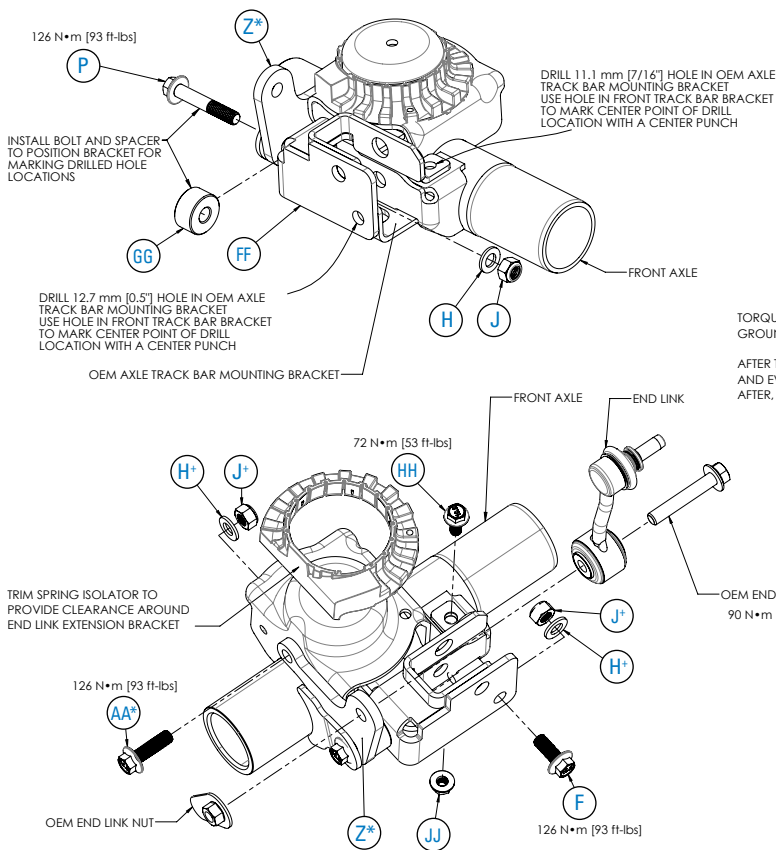
SUBGROUP HP1906: Front Track Bar Relocation



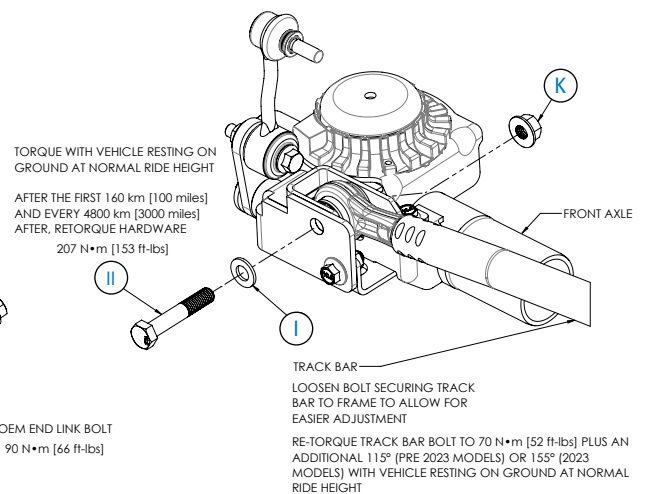
HP1906 Contents

		QTY	PART #
FF	Bracket, Front Track Bar	1	HP1966
GG	Spacer, Front Track Bar	1	HP1829
HH	Bolt, M10 x 1.5 x 25mm Flange Head	1	HP1814
F	Bolt, M12 x 1.75 x 30mm Flange Head	1	HP1817
P	Bolt, M12 x 1.75 x 70mm Flange Head	1	HP1794
II	Bolt, M14 x 2 x 80mm Hex Head	1	HP1957
H	Washer, M12 Flat	1	HP1818
I	Washer, M14 Flat	1	HP1466
JJ	Nut, M10 x 1.5 Flange	1	HP1457
J	Nut, M12 x 1.75 Nylon Lock	1	HP1575
K	Nut, M14 x 2 Top Lock Flange	1	HP1872

FRONT PASSENGER TRACK BAR BRACKET



FRONT PASSENGER END LINK EXTENSION



PLEASE NOTE:

- Use **AA*** from Subgroup HP1904
- Use **Z*** from Subgroup HP1904
- Use **H*** from Subgroup HP1904
- Use **J*** from Subgroup HP1904

BEFORE STARTING THE INSTALLATION:

Safety Warning!

Altering the suspension system of your vehicle may cause it to handle differently than it did from the factory. Larger wheel and tire combinations may increase the leverage on the suspension and steering components. This changes the way your vehicles handles and responds to abrupt maneuvers. Operate your vehicle at reduced speeds in all conditions to prevent loss of control. Failure to do so may result in serious injury. It is not recommend to combine the use of suspension lifts, body lifts, or other lifting methods.

Installation Warning!

Use caution when disassembling and reassembling the vehicle. The proceeding instructions are guidelines only, the installer is responsible for ensuring that the vehicle is safe for use after performing the installation. It is recommended to use the factory service manual for the model/year of the vehicle when disassembling and assembling factory related components.

WHEEL ALIGNMENT AND HEADLIGHT ADJUSTMENT

It is necessary to have a proper and professional wheel alignment performed by a certified alignment technician to align the vehicle to factory specifications. After the installation is complete, check to ensure that the vehicle's headlights are aimed properly. If not, a headlight alignment is required.

.....



PLEASE NOTE:

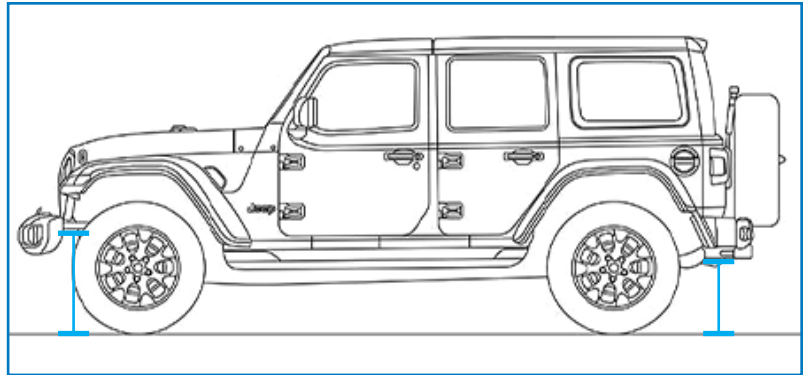
Some parts are shown in BLUE for clarity throughout the manual and may not reflect the actual colour of parts received.

1 MEASURE STOCK RIDE HEIGHT

Park the vehicle on a level surface and set the emergency brake.

Using a measuring tape, measure the distance between the front/rear frame to body mount brackets and ground (see Figure 1). This will give you your ride height.

Note the ride height for all four corners. Please be aware that resulting lift height may change depending on trim/engine.



1

2 REMOVE REAR WHEELS

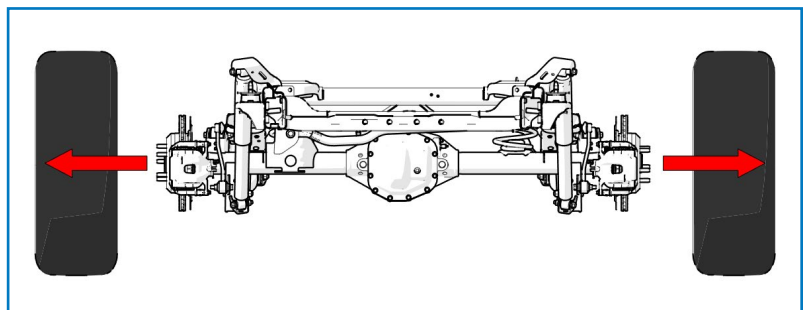
Place wheel chocks in front of and behind both front wheels.

Raise the rear of the vehicle high enough to remove both wheels and attain a comfortable working height.

Use two jack stands to support the vehicle at the frame.

Use a jack to support the rear axle.

Remove both rear wheels.



2

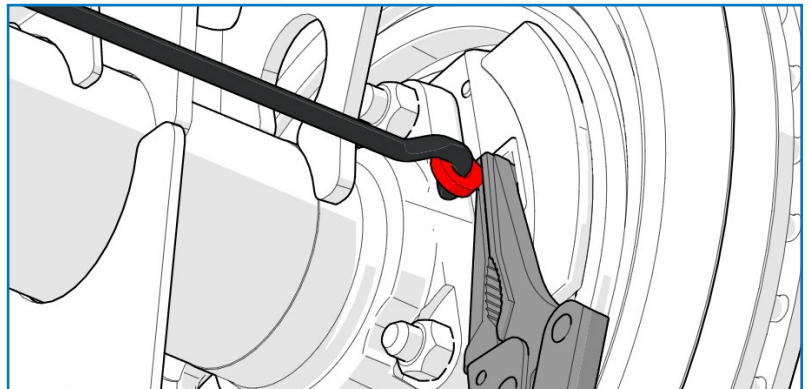
3 REMOVE REAR EMERGENCY BRAKE LINES

Clamp vise grips onto emergency brake linkages where they protrude out of each rear wheel brake assembly (highlighted red in Figure 3A).

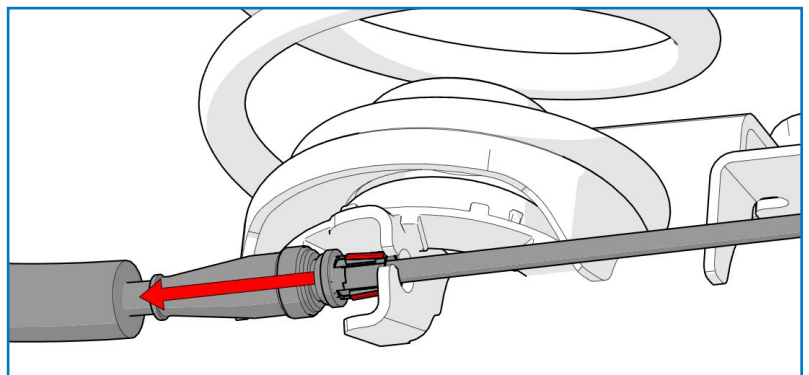
Release emergency brake tension from inside vehicle.

Using a flat head screw driver, pry emergency brake lines off, out of each linkage eyelet.

Remove emergency brake cable lines from rear axle support brackets by pinching the three tabs and pulling the cable sheath through the opening in the bracket (highlighted red in Figure 3B). Allow the emergency brake lines to hang loose.



3A



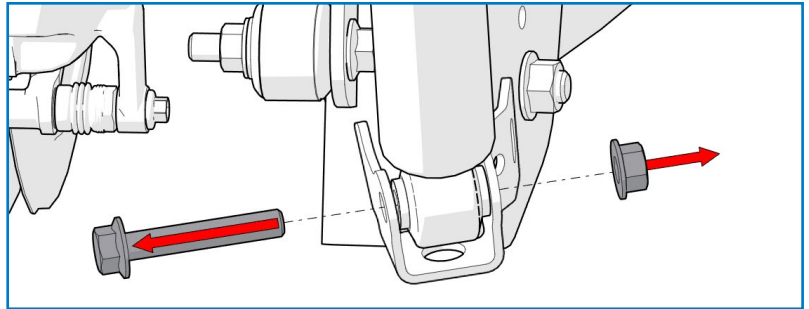
3B

4 REMOVE LOWER SHOCK BOLTS

Remove the bolt securing the shock to the axle (as shown in Figure 4).

Discard the hardware.

Repeat on the opposite side of the vehicle.

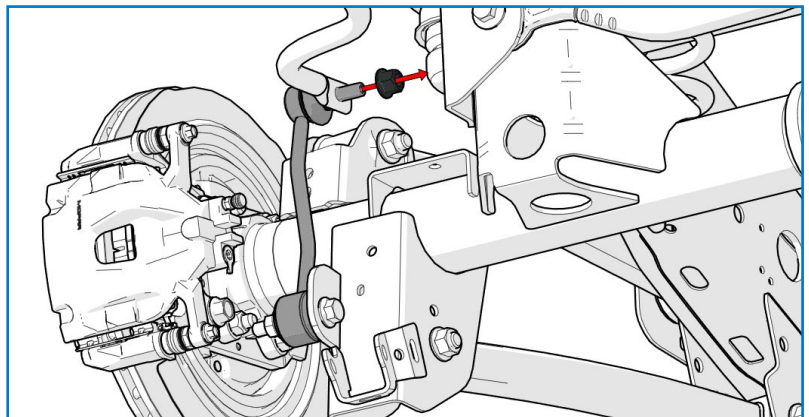


4

5 REMOVE REAR SWAY BAR END LINK

Remove the nut securing the rear sway bar end links to the sway bar. (See Figure 5 for reference).

Push the sway bar upwards to a position that is out of the way and re-secure the nuts onto the end links.



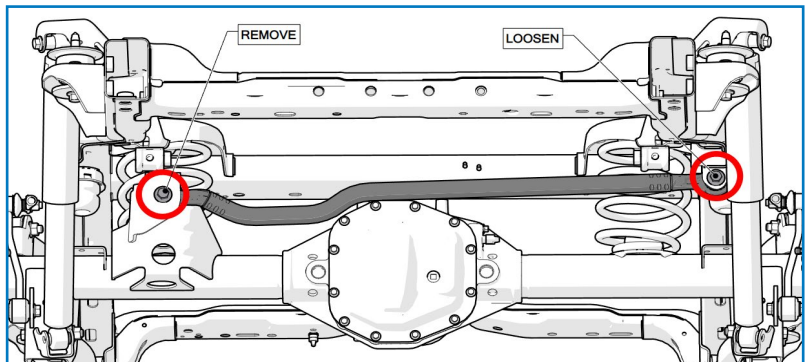
5

6 REMOVE TRACK BAR BOLT

Remove the bolt securing the track bar to the axle (as shown in Figure 6; marked as "REMOVE").

Discard the hardware.

Loosen, but do not fully remove, the bolt securing the track bar to the frame (as shown in Figure 6; marked as "LOOSEN").

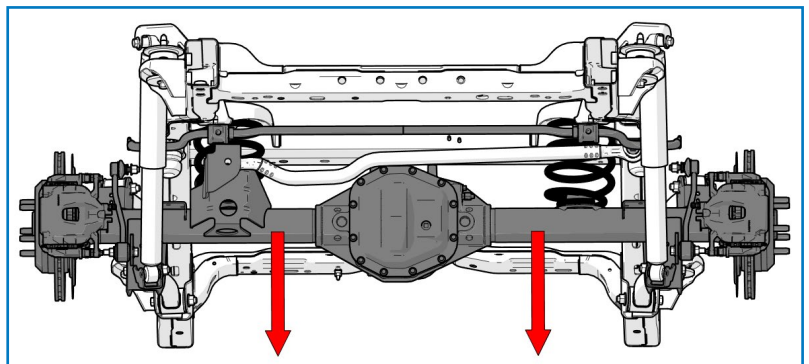


6

7 REMOVE REAR SPRINGS

Slowly lower the rear axle until the rear coil springs can be removed. (See Figure 7).

⚠ Ensure no brake or electrical lines are stretched while lowering the axle.



7

USE SUBGROUP HP1903

8 INSTALL SWAY BAR OFFSET SPACERS

Remove rear sway bar and discard fasteners (as shown in Figure 8A).

Using four M10 x 1.5 x 30mm flat head bolts, install sway bar spacers so that the offset will be toward the rear of the vehicle (as shown in Figure 8C).

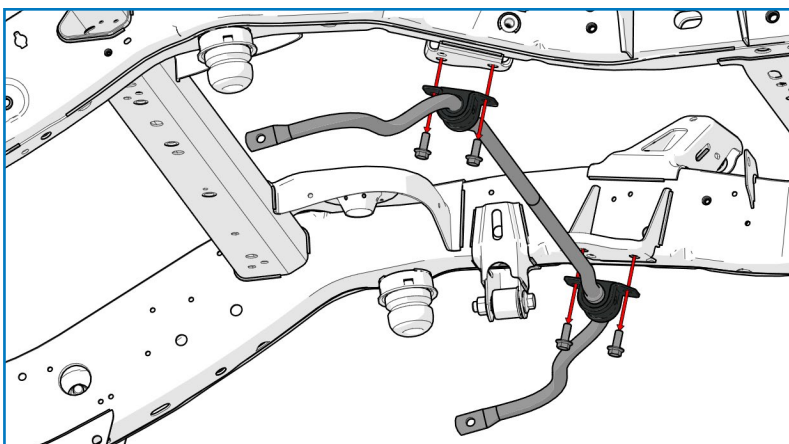
Torque bolts to 53 N•m [39ft-lbs]

Flip rear sway bar so that the angled arms point downward (as shown, highlighted red, in Figure 8D).

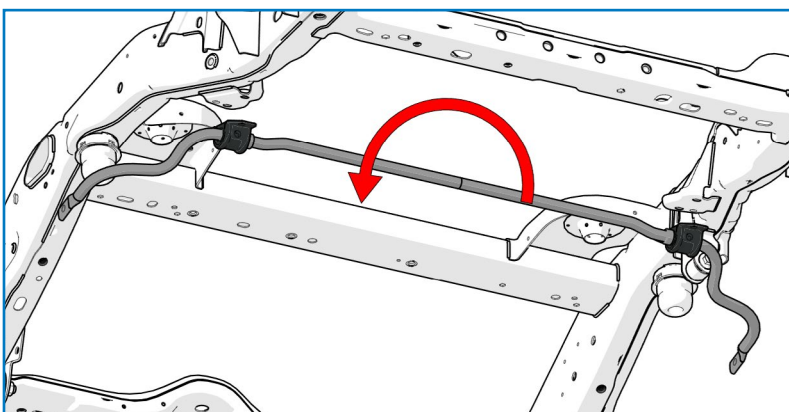
Clean and degrease the four M10 x 1.5 x 16mm hex head bolts and apply the provided Loctite 242 to the threads.

Secure the rear sway bar using these bolts with washers to the offset spacer (Figure 8C).

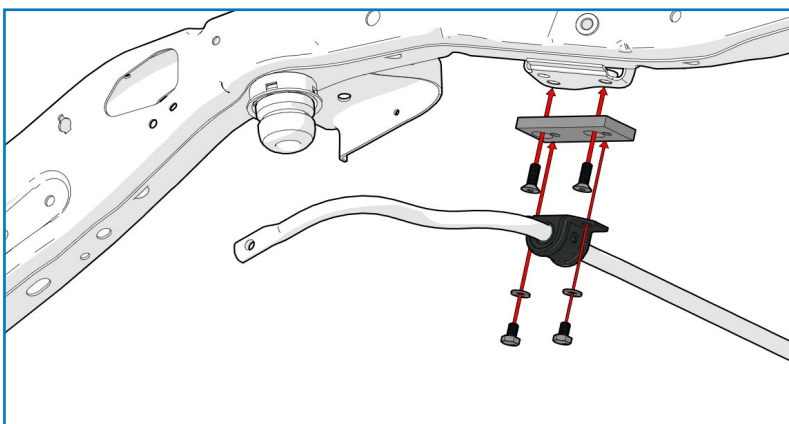
Torque bolts to 61 N•m [45ft-lbs]



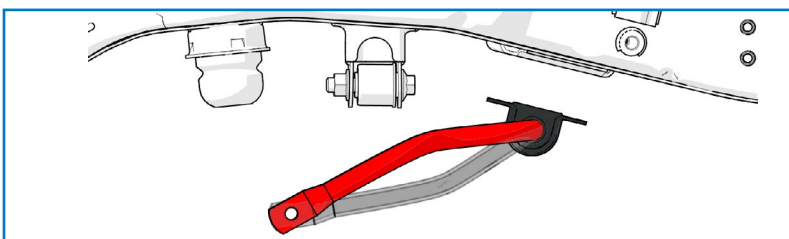
8A



8B



8C



8D

9 INSTALL JOUNCE BUMPER EXTENSION

Remove rear jounce bumpers (as shown in Figure 9A), using a pulling and twisting motion.

Align jounce bumper extension grooves with teeth on cup (highlighted red in Figure 9B).

Push the jounce extension into mounting cup (as shown in Figure 9C).

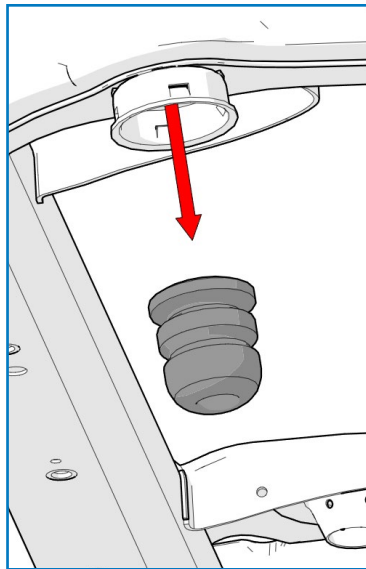
! Lubricating the sliding surfaces with a light coating of grease will aid the installation.

If installation by hand is too difficult, the vehicle's weight can be used to press it in.

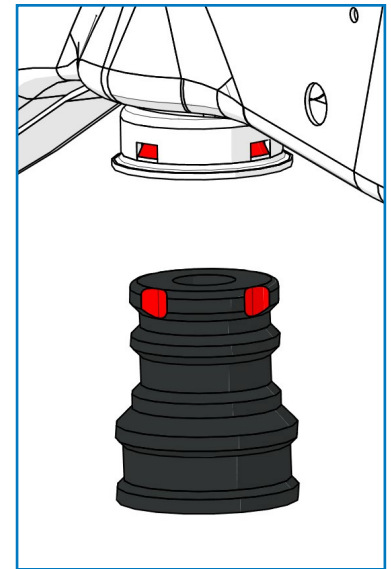
Place a block of wood between the axle jounce stopping pad and the jounce extension, then lower the vehicle body (or raise the axle) so that the extension is pressed into the mounting cup.

Next, push in OEM jounce bumper into extension cup.

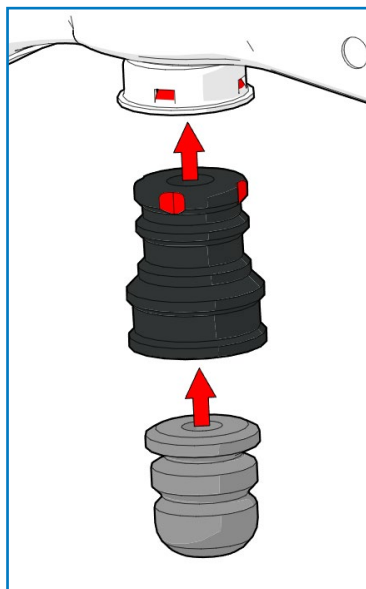
Finally, turn jounce bumper extension approximately 45 degrees so that notches in the extension and mounting cup teeth no longer align with extension grooves (See Figure 9D for reference).



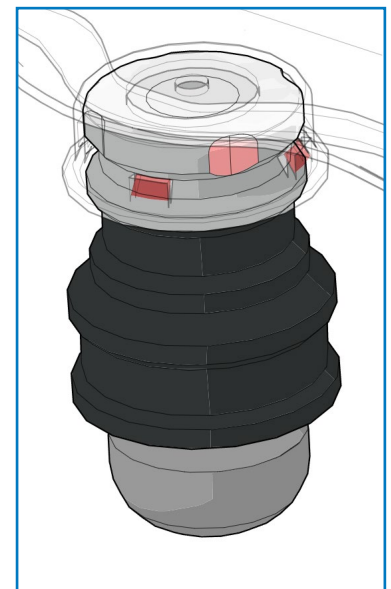
9A



9B



9C



9D

10 INSTALL REAR LIFT SPRINGS

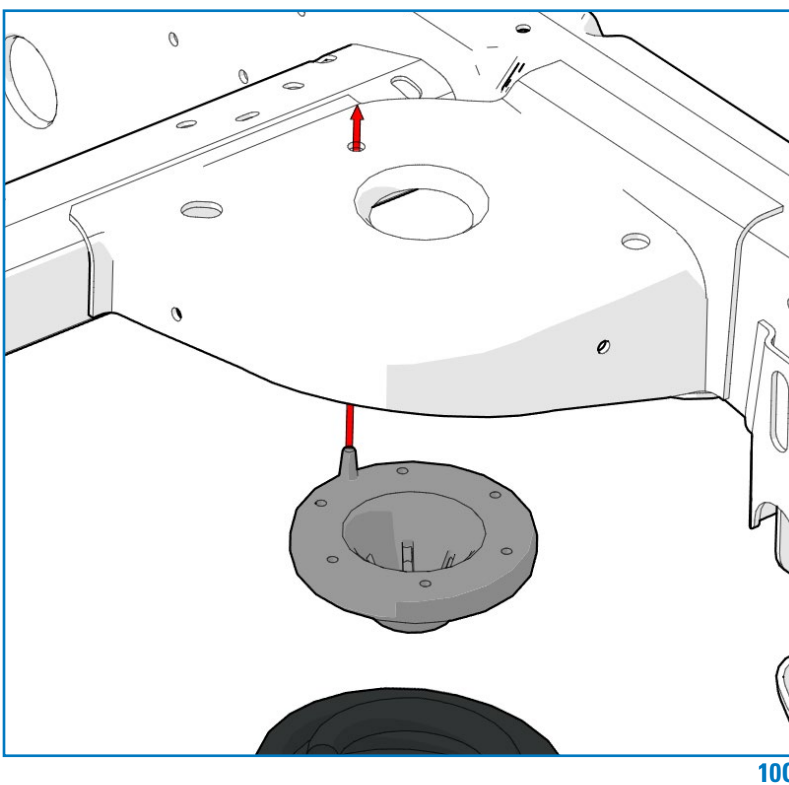
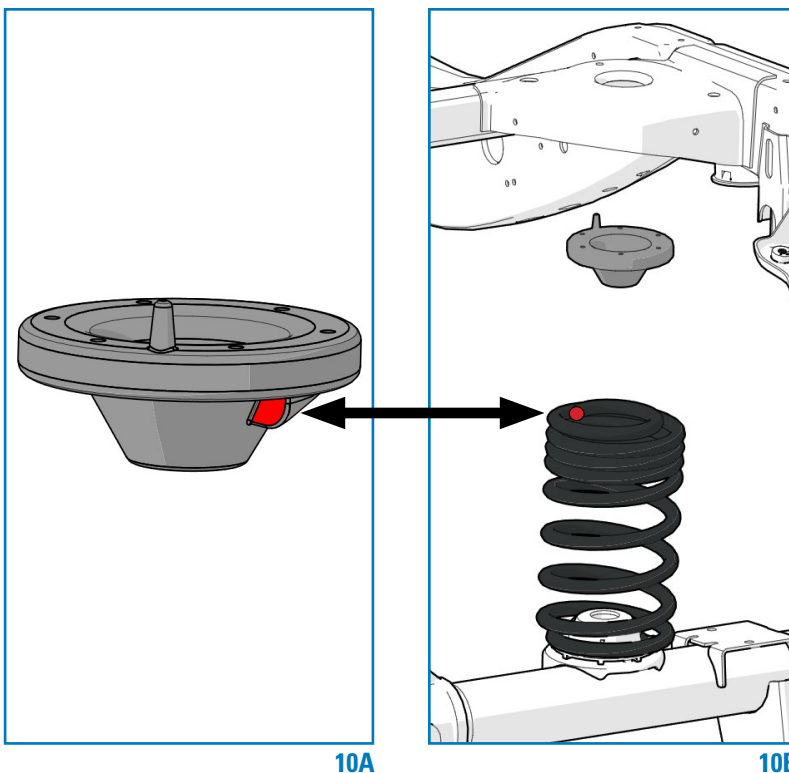
Install the rear lift spring (using Figures 10A-10C as reference).

Ensure the upper end of the rear coil spring (highlighted red in Figure 10B) butts up against the stopping face of the OEM spring isolator (highlighted red in Figure 10A).

Ensure the spring is fully seated on the axle spring perch (as shown in Figure 10B).

Ensure the alignment tab on the spring isolator is aligned with the alignment holes in the frame (as shown in Figure 10C).

Repeat on the opposite side of the vehicle.



USE SUBGROUP HP1900

11 DRILL TRACK BAR BRACKET HOLES

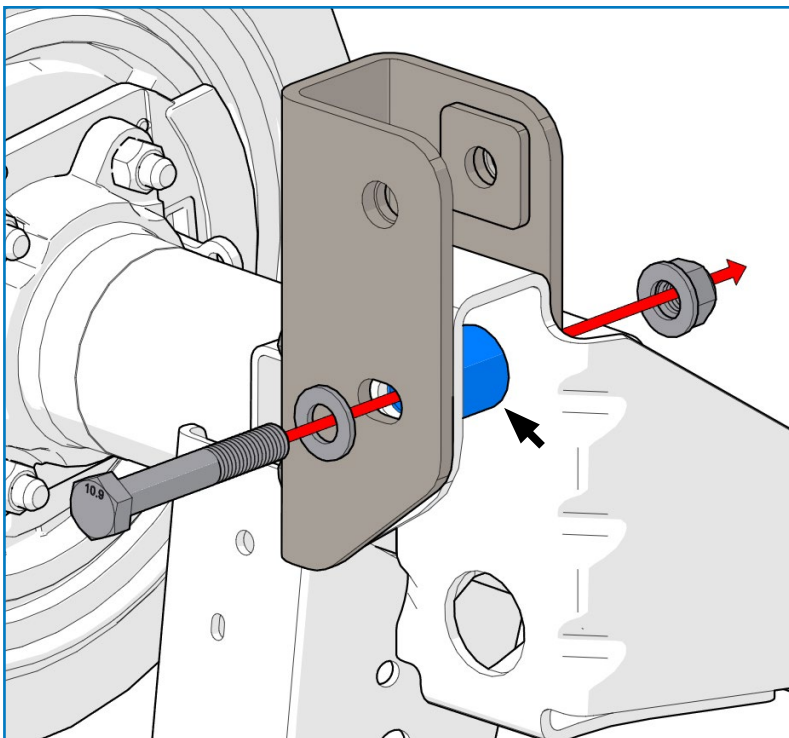
Temporarily install the rear track bar bracket using the provided M14 x 2 x 90mm bolt, washer, top lock flange nut and spacer (see Figure 11A for assembly - spacer shown in blue, marked with a black arrow).

Torque to approximately 100 N•m [74 ft-lbs]

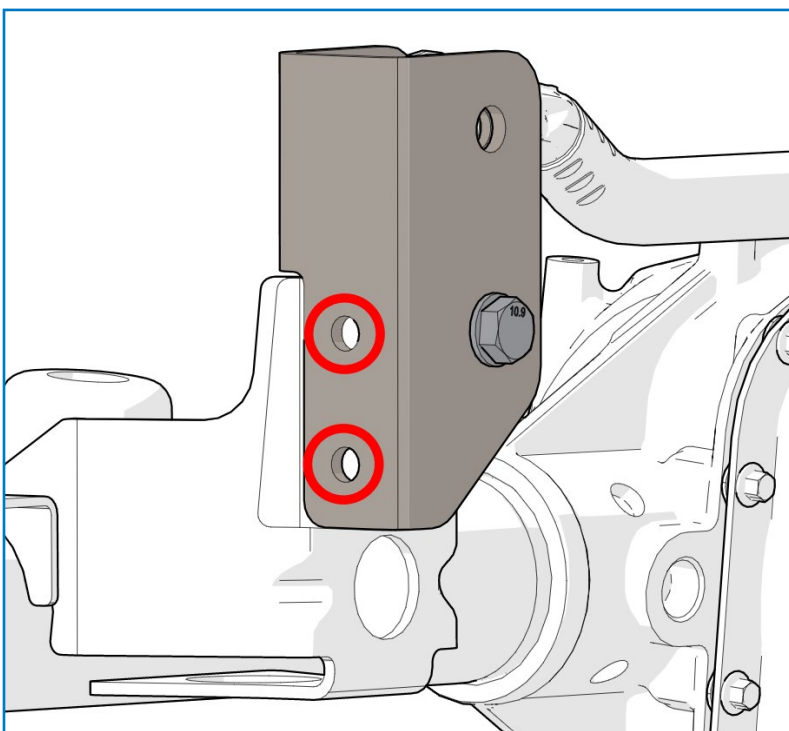
Use the rear track bar bracket as a template to mark the centers of the hole with a center punch (see highlighted red circles in Figure 11B).

First drill hole using a 1/8" pilot drill, then enlarge holes to 12.7mm [0.5"] holes in the axle mounting bracket.

- ⓘ It is recommended to apply paint or protective coating to bare metal to prevent corrosion.



11A



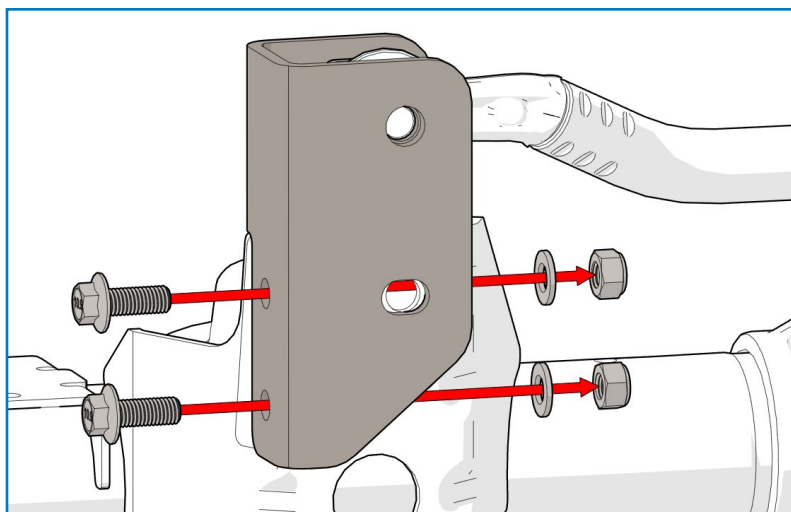
11B

12 ATTACH TRACK BAR BRACKET

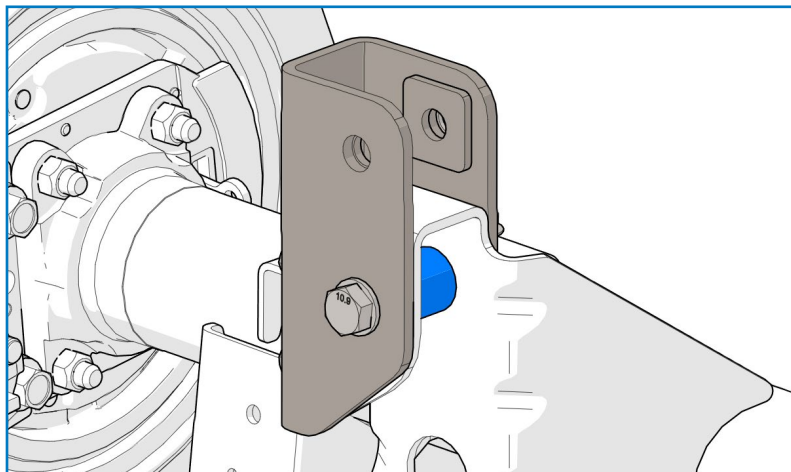
Attach the rear track bar bracket to the axle using two M12 x 1.75 x 30mm flange bolts, washers and nylon lock nuts (as shown in Figure 12A).

Torque bolts to 129 N•m [95 ft-lbs]

Torque M14 bolt to 206 N•m [153 ft-lbs]



12A



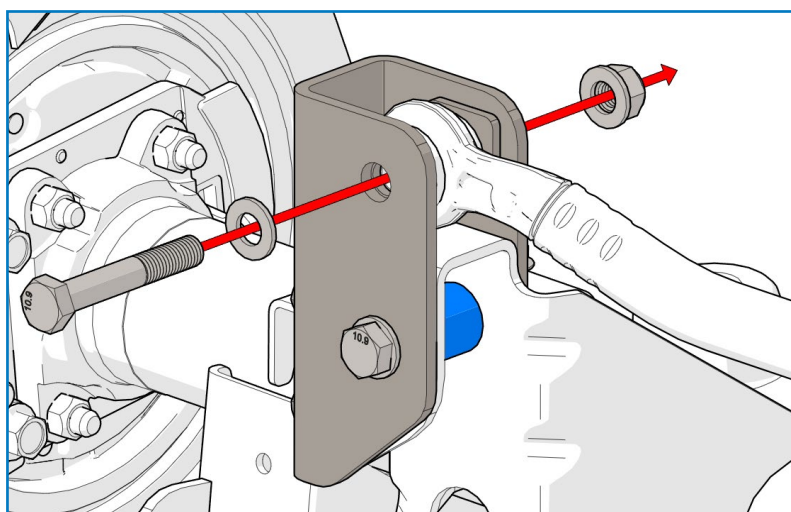
12B

13 ATTACH TRACK BAR

Secure track bar to rear track bar bracket with M14 x 2 x 90mm bolt, washer and top lock flange nut (as shown in Figure 13).

Torque hardware snug, but do not fully tighten at this stage.

- ⓘ If there is difficulty aligning the track bar to the bracket, a heavy duty ratchet strap can be used to pull the axle into position.



13

USE SUBGROUP HP1901 (REAR COMPONENTS)

14 INSTALL REAR SHOCK EXTENSIONS

Place rear shock extension in shock mounting bracket on axle (as shown in Figure 14).

Secure extension to axle using one M12 x 1.75 x 20mm flange bolt and one M12 x 1.75 x 70mm flange bolt, washer and nylock nut (see part assembly in Figure 14).

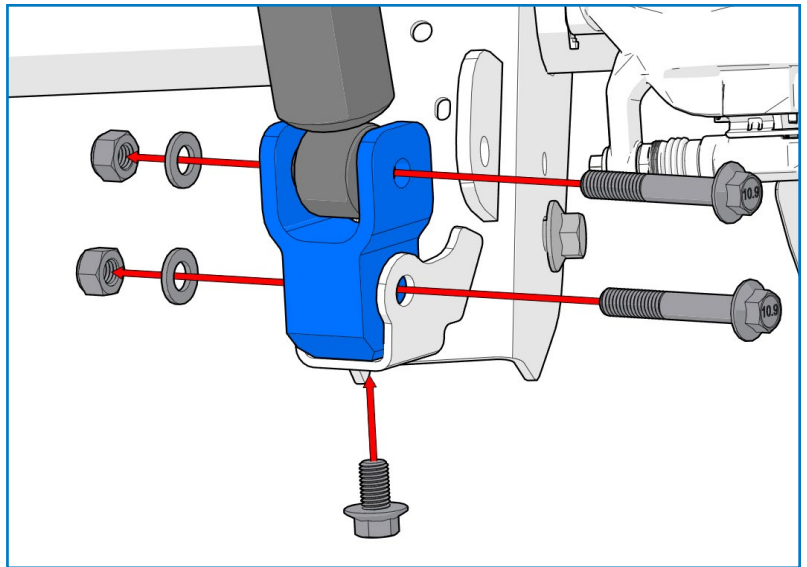
First: torque 20mm flange bolt to 118 N•m [87 ft-lbs]

Second: torque 70mm flange bolt to 129 N•m [95 ft-lbs]

Attach shock to extension using M12 x 1.75 x 70mm flange bolt, washer and nylock nut.

Torque bolt snug, but do not fully tighten at this stage.

Repeat on the opposite side of the vehicle.



14

USE SUBGROUP HP1902

15 INSTALL REAR JOUNCE STRIKE PLATES

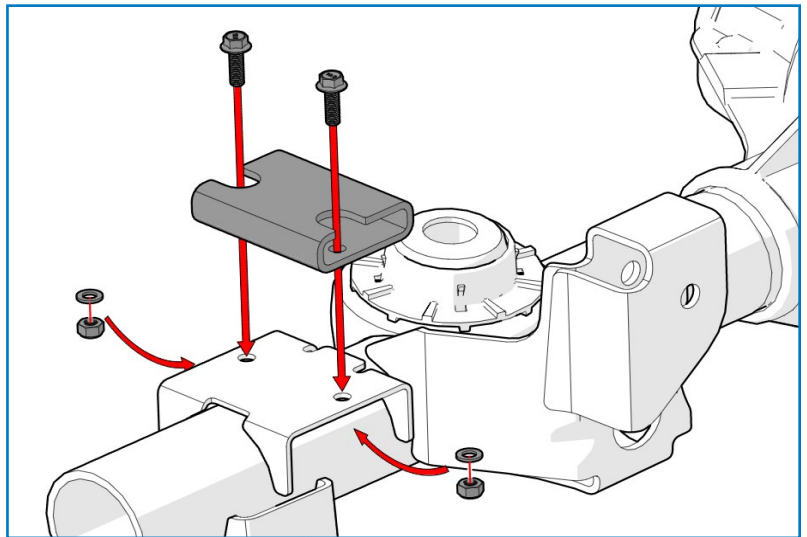
Place the rear jounce strike plates on the axle (as shown in Figure 15A).

Ensure the plate is offset toward the center of the vehicle (see Figure 15B for reference).

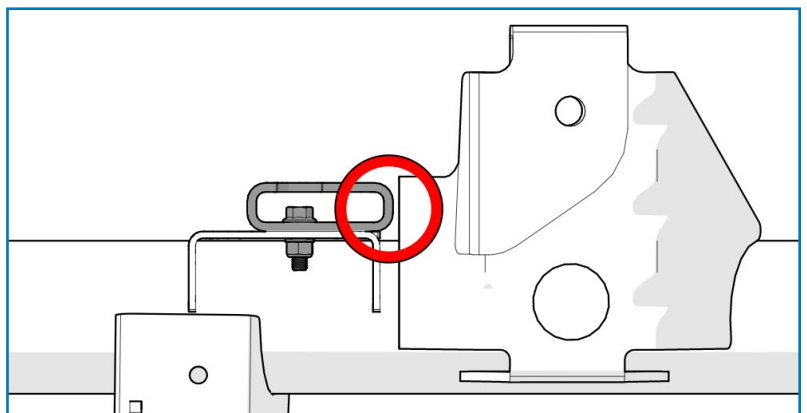
Secure the strike plates using two M8 x 1.25 x 25mm flange bolts, washers and nylock nuts.

Torque the bolts to 12 N•m [9 ft-lbs]

Repeat on the opposite side of the vehicle.



15A



15B

16 INSTALL TIRES, EMERGENCY BRAKE LINES AND SWAY BAR END LINKS

Re-install the rear tires and lower the vehicle to the ground (as shown in Figure 16A).

Re-install rear emergency brake lines on rear axle and to both rear disc brakes.

⚠ Be sure to remove vice grips.

If emergency brake cables are difficult to reinstall, cable tension can be loosened. To access cable tension adjuster remove the four bolts securing the center console (see Figure 16B/16C - similar locations on both sides).

Gently lift the console and prop open. Follow the emergency brake cables to locate the adjustment nut (Figure 16D).

⚠ WARNING: After emergency brake cables have been reinstalled, cable tension must be returned to factory specifications for safe vehicle use.

Reconnect the sway bar end links to the rear sway bar (as seen in Figure 16E).

Torque nuts to 80 N•m [59 ft-lbs]

Torque wheels to manufacturer's specifications.

17 REMOVE FRONT WHEELS

Place wheel chocks in front of and behind both rear wheels.

Raise the front of the vehicle high enough to remove both wheels and attain a comfortable working height.

Use two jack stands to support the vehicle at the frame. Use a jack to support the front axle.

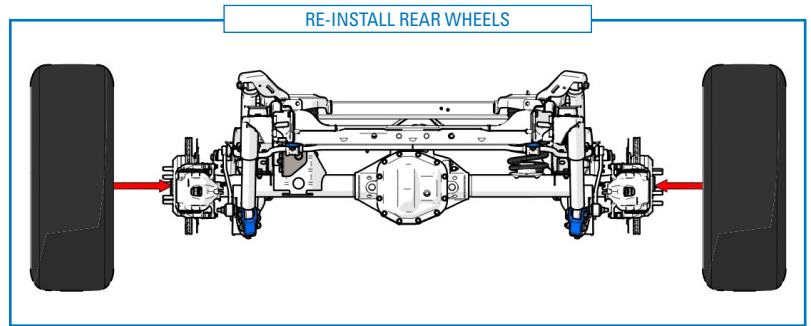
Remove both front wheels.

18 REMOVE LOWER SHOCK BOLTS

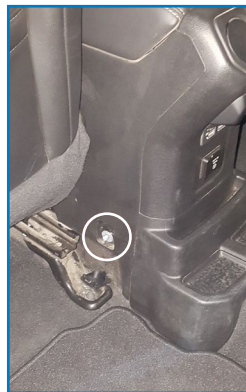
Remove the bolt securing the shock to the axle (as shown in Figure 18).

Repeat on the opposite side of the vehicle.

Discard the hardware.



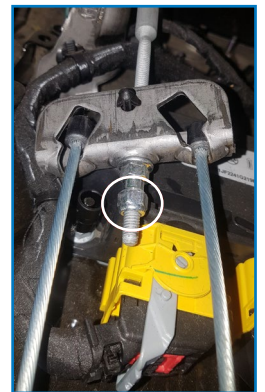
16A



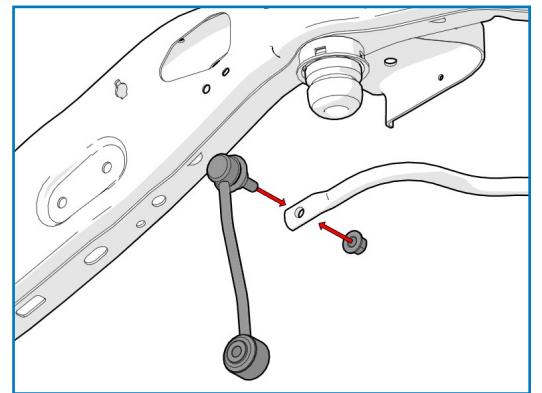
16B



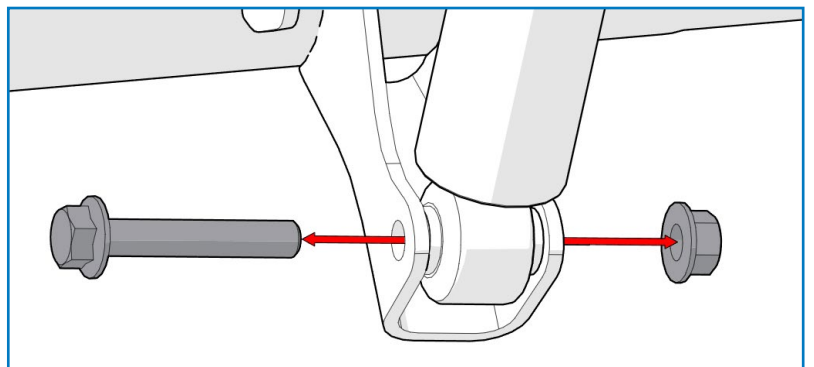
16C



16D



16E

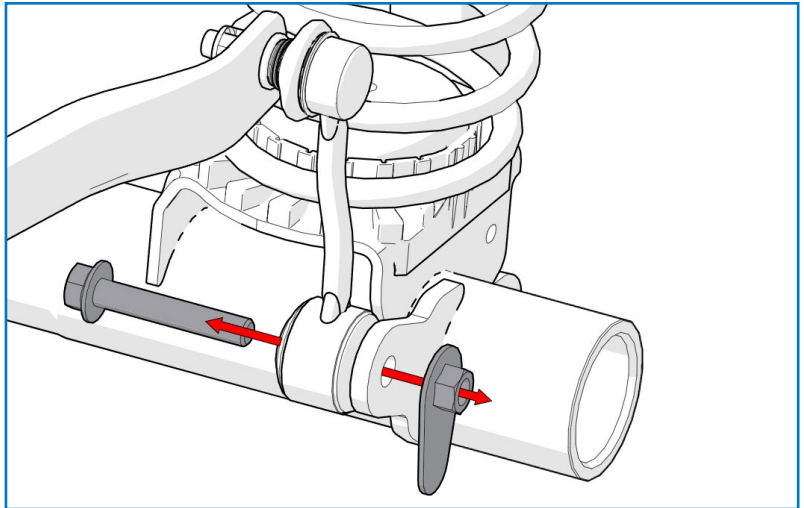


18

19 REMOVE END LINK BOLTS

Remove the bolt securing the end links to the axle (as shown in Figure 19).

Repeat on the opposite side of the vehicle.



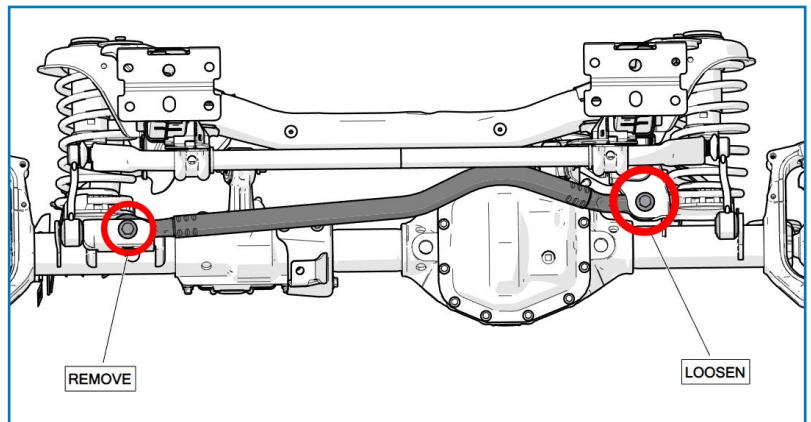
19

20 REMOVE TRACK BAR BOLT

Remove the bolt securing the track bar to the axle (as shown in Figure 20, marked as "REMOVE").

Discard the hardware.

Loosen, but do not fully remove, the bolt securing the track bar to the frame (as shown in Figure 20, marked as "LOOSEN").



20

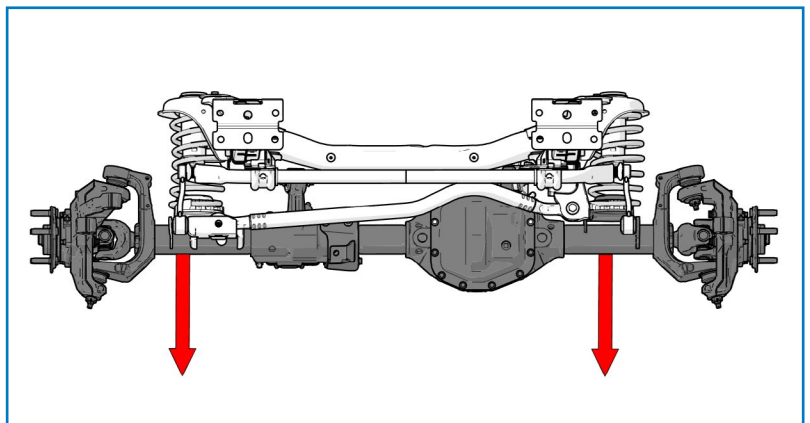
21 REMOVE FRONT SPRINGS

Slowly lower the front axle until the coil springs can be removed.

- ⓘ If removal is difficult, a coil spring compressor can be used to collapse the springs.

⚠ Ensure no brake or electrical lines are stretched while lowering the axle.

Temporarily remove any line retaining clips or brackets as needed to lower axle safely and sufficiently.



21

USE SUBGROUP HP1905

22 MODIFY SPRING PERCHES

Trim the lower edge of the rubber spring isolators (highlighted with a red arrow in Figure 22A) to allow clearance for the end link extension bracket (shown with a black arrow in Figure 22A) to sit on the axle.

Driver side shown, repeat on passenger side.

Remove ABS sensor mounting bracket from axle knuckle.

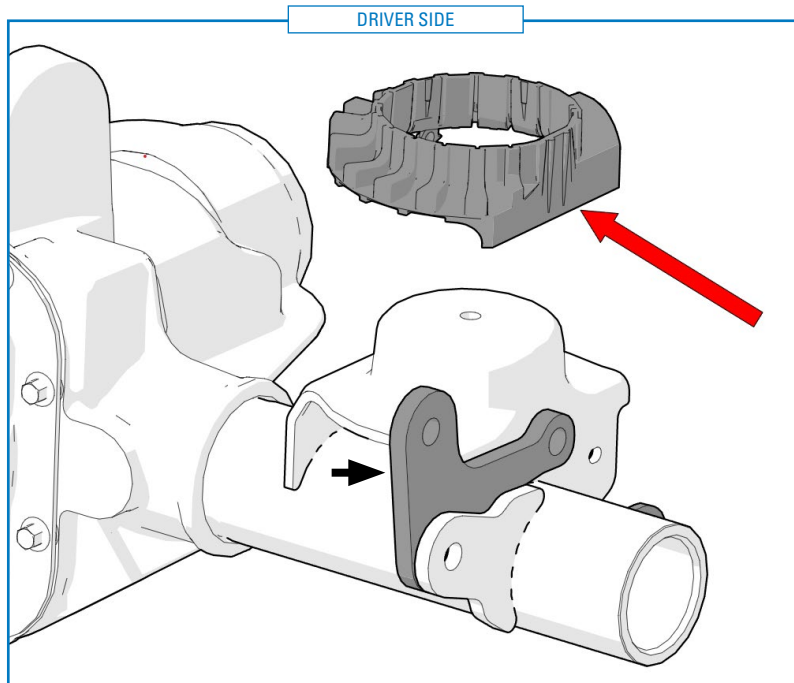
Place the end link extension bracket (HP1813 - found in subgroup HP1904) on the drivers side.

! If installation is tight, a rubber mallet may be required to tap into place.

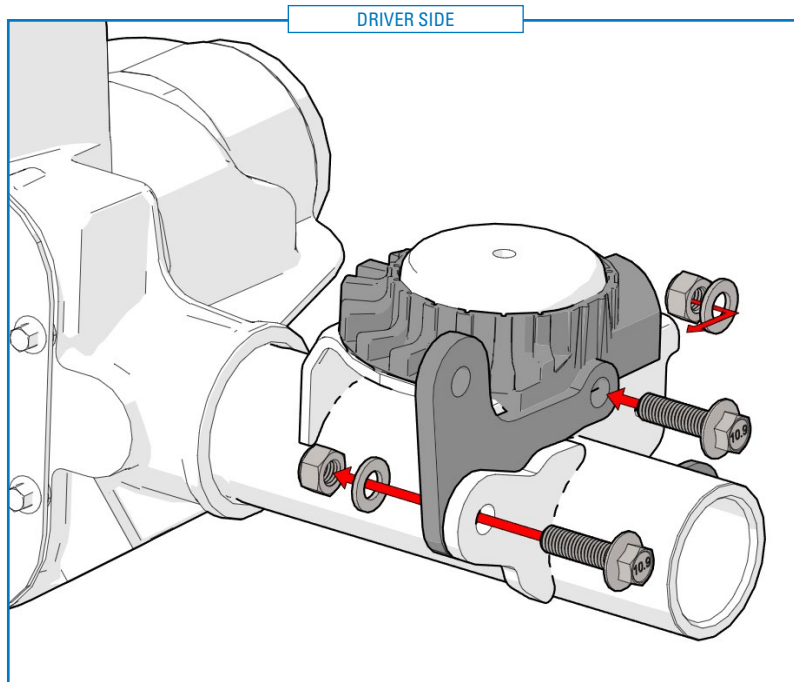
Install using two M12 x 1.75 x 40 mm flange bolts and nylock nuts/washers (as shown in Figure 22B).

Torque hardware to 126 N•m [93 ft-lbs]

Reinstall ABS sensor mounting bracket to axle knuckle.



22A



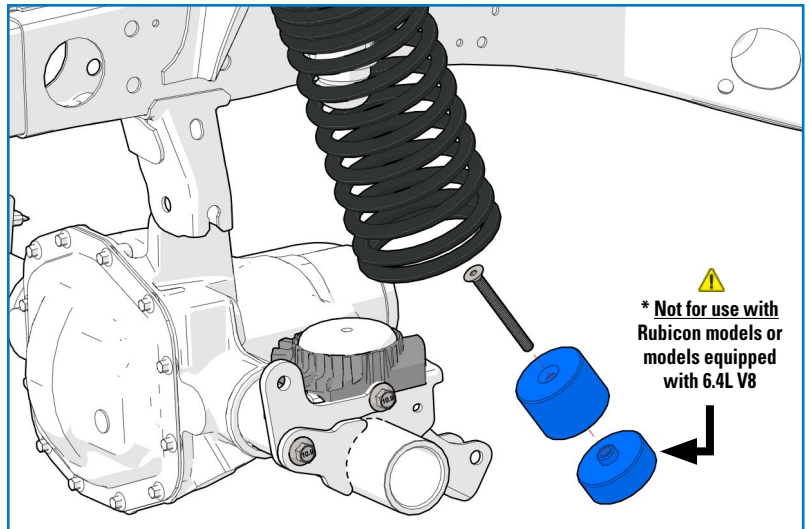
22B

23 INSTALL FRONT LIFT SPRINGS

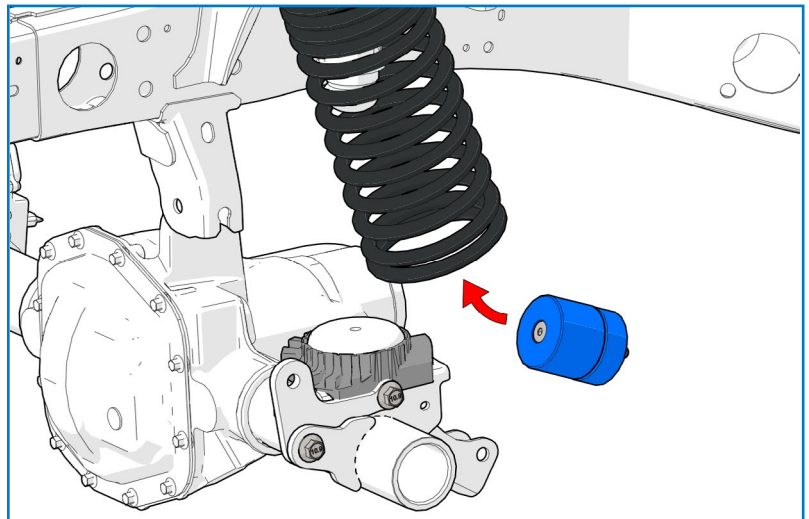
Nest the front bump stop extensions and front bump stop extension spacers* (see note below) with M10 x 1.5 x 100mm flat head into the bottom of spring (see Figures 23A-23C for correct assembly).

⚠ *PLEASE NOTE: Front bump stop extension spacers (shown in Figure 23A with a black arrow) are to be used for all models EXCEPT RUBICON or MODELS EQUIPPED WITH 6.4L V8.

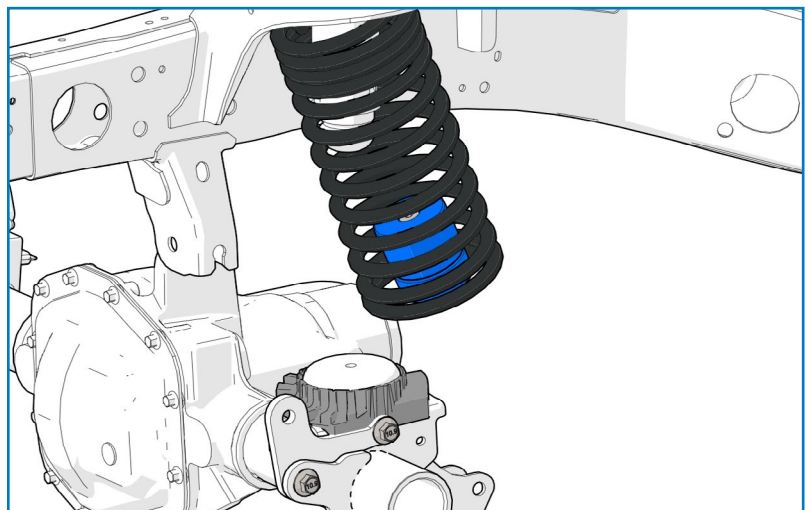
Step continues on the following page...



23A



23B



23C

Install the top end of the front lift spring in the vehicle with the OEM upper spring isolator (as shown in Figure 23D).

Ensure the alignment tabs on the spring isolator are aligned with the alignment holes in the frame (as shown in Figure 23E).

Pull spring / bump stop extension together onto lower spring perch.

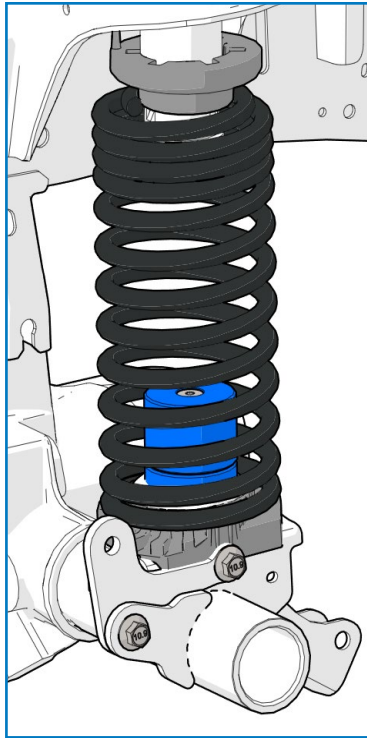
! If installation is difficult, a coil spring compressor can be used to collapse the springs.

Ensure the spring is properly positioned with the coil end against the stop face on lower spring perch.

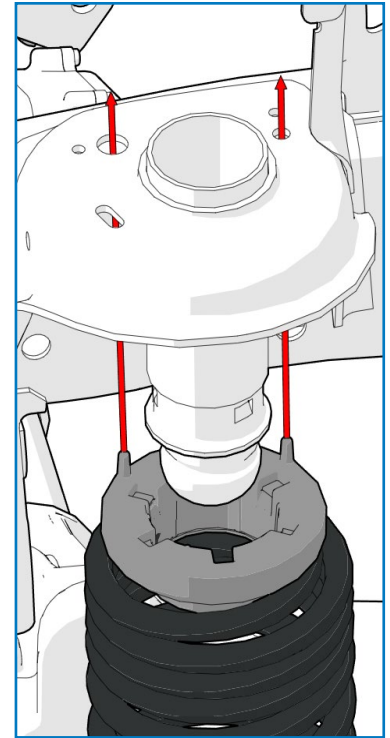
Route M10 nylock nuts and washers under the coil spring seat.

Torque flat head bolt to 32-50 N•m [24-36 ft-lbs] (see Figure 23F)

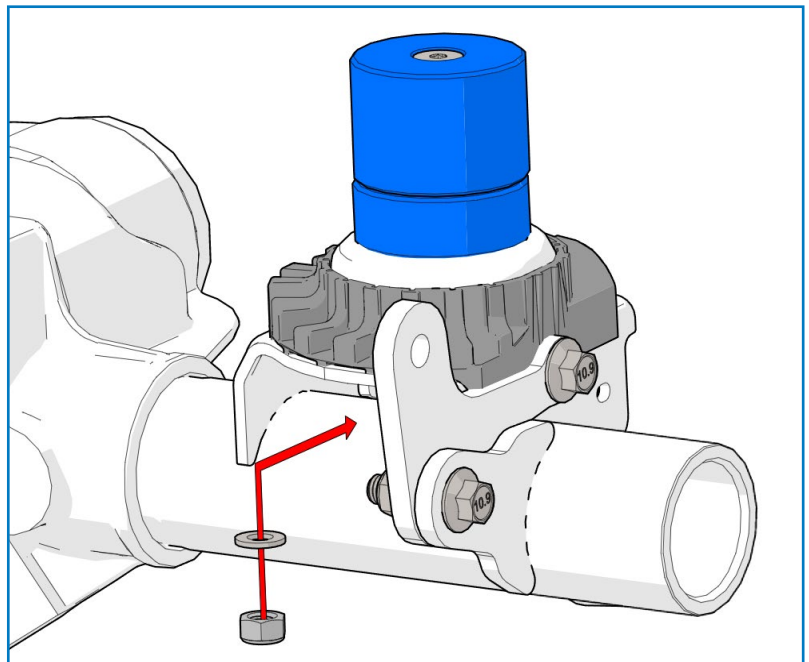
Repeat on the opposite side of the vehicle.



23D



23E



23F

24 INSTALL FRONT SHOCK EXTENSIONS

Place the front shock extension in the shock mounting bracket on the axle.

⚠ PLEASE NOTE: *different bolt holes/ports are used for each side of the vehicle* (see Figure 24A for reference).

Secure extension to axle using one M8 x 1.25 x 16mm flange bolt and one M12 x 1.75 x 70mm flange bolt, washer and nylock nut (see Figure 24B for correct parts assembly).

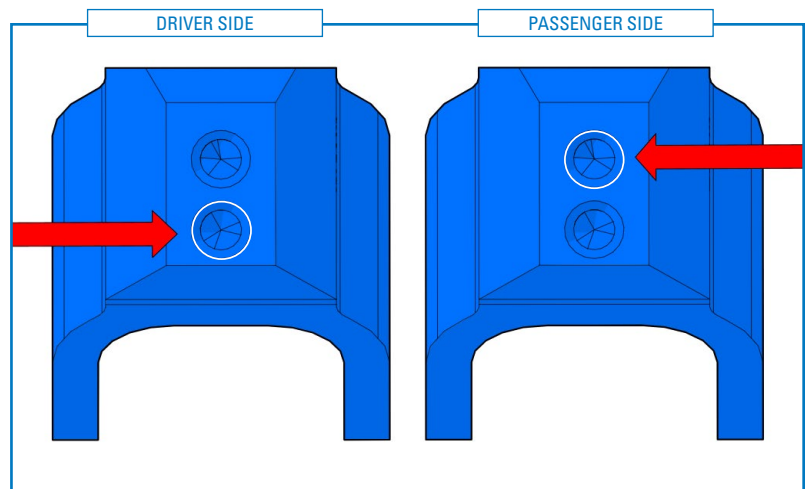
First: Torque 16mm flange bolt to 34 N•m [25 ft-lbs]

Second: Torque 70mm flange bolt to 129 N•m [95 ft-lbs]

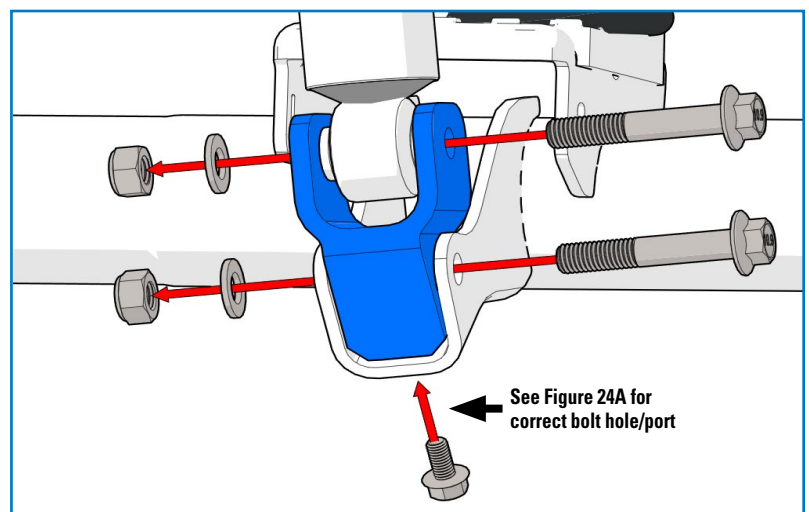
Attach shock to extension using M12 x 1.75 x 70mm flange bolt, washer and nylock nut.

Torque bolt snug, but do not fully tighten at this stage.

Repeat on the opposite side of the vehicle.
USE SUBGROUP HP1901 (FRONT COMPONENTS)



24A



24B

USE SUBGROUP HP1906

25 DRILL TRACK BAR BRACKET HOLES

Temporarily place the front track bar bracket on the axle (shown in Figure 25A with a black arrow).

Slide in passenger side end link extension and spacer (as shown in Figure 25A with red arrows).

! If installation is tight a rubber mallet may be required to tap into place.

Remove ABS sensor mounting bracket from axle knuckle.

Install the M12 x 1.75 x 40mm flange head and M12 x 1.75 x 70mm flange head bolts with nylock nuts and washers to hold the front track bar relocation bracket and end link extension bracket in place.

Torque hardware to 126 N•m [93ft-lbs]

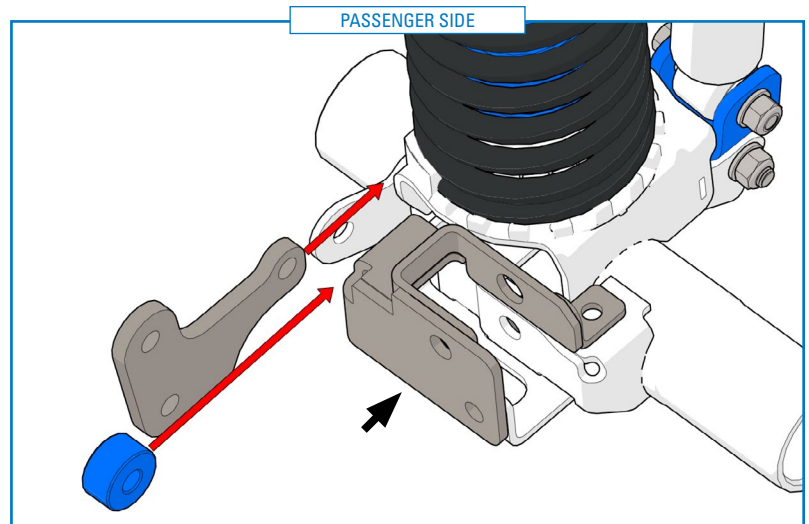
Reinstall ABS sensor mounting bracket to axle knuckle.

Use the track bar bracket as a template to mark the centers of the holes (highlighted with red circles in Figure 25C) with a center punch.

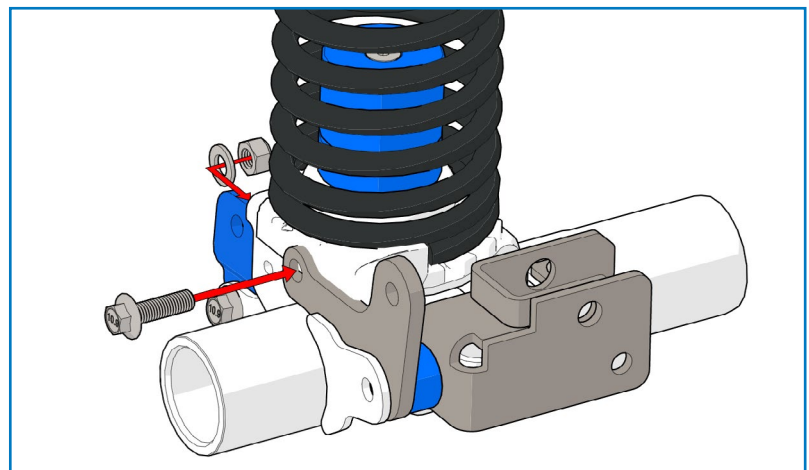
Drill a 1/8" diameter pilot hole in each location.

Enlarge pilot holes to 11.1mm [7/16"] and 12.7mm [0.5"] in the original axle track bar mounting bracket.

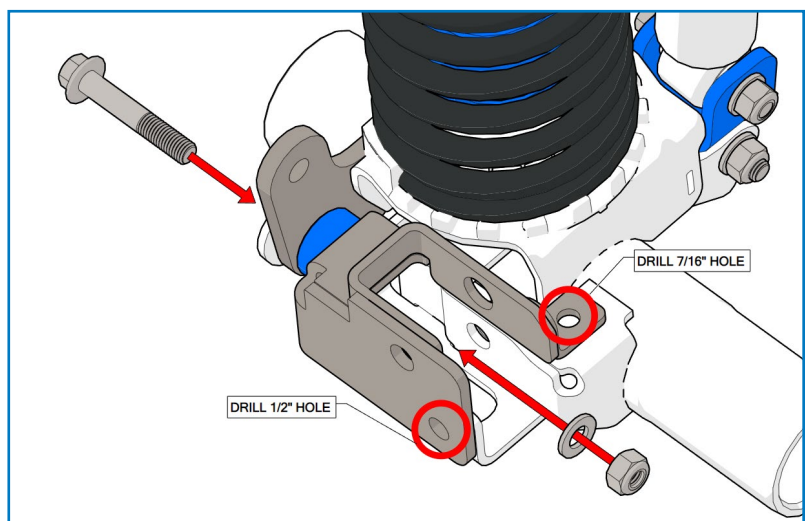
! It is recommended to apply paint or protective coating to the bare metal to prevent corrosion.



25A



25B



25C

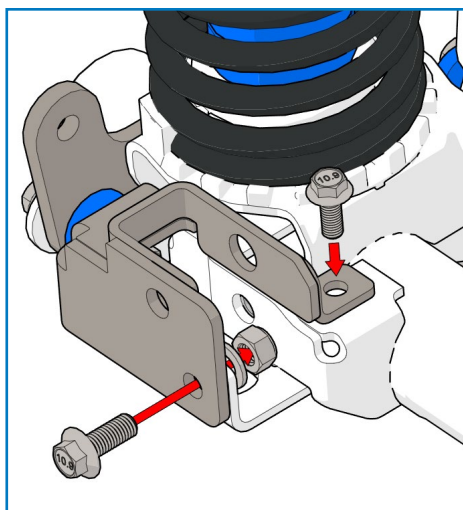
26 ATTACH TRACK BAR BRACKET

Using the previously drilled holes, secure the track bar bracket with an M12 x 1.75 x 30mm flange bolt, washer and nylock nut, and an M10 x 1.5 x 25mm flange bolt and flange nut (see Figure 26 for correct parts assembly).

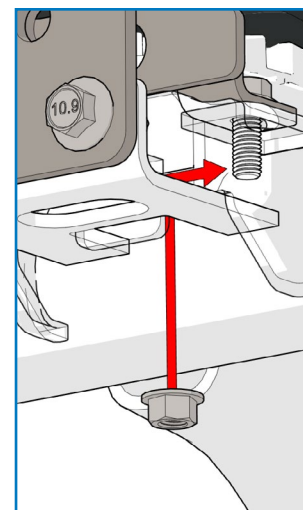
Route M10 flange nut through the bottom cutout of stock track bar bracket (as shown in Figure 26B).

Torque M10 bolt to 72 N•m [53 ft-lbs]

Torque M12 bolt to 126 N•m [93 ft-lbs]



26A

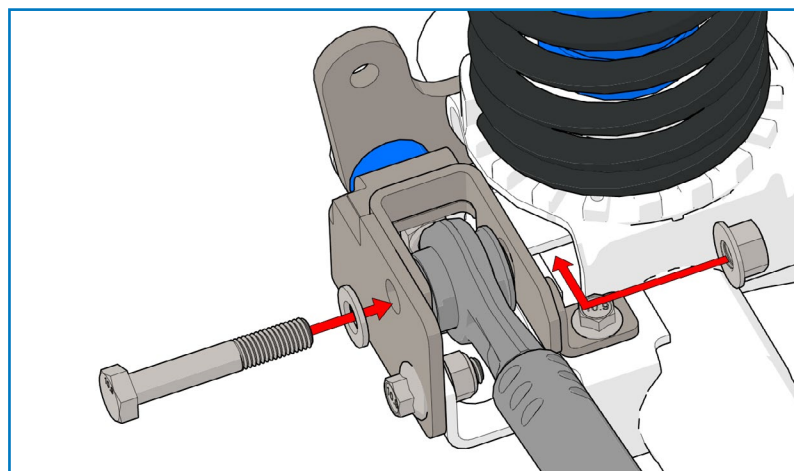


26B

27 ATTACH TRACK BAR

Secure track bar to front track bar bracket with M14 x 2 x 80mm bolt and top lock flange nut (see Figure 27 for correct parts assembly).

Torque hardware snug, but do not fully tighten at this stage.

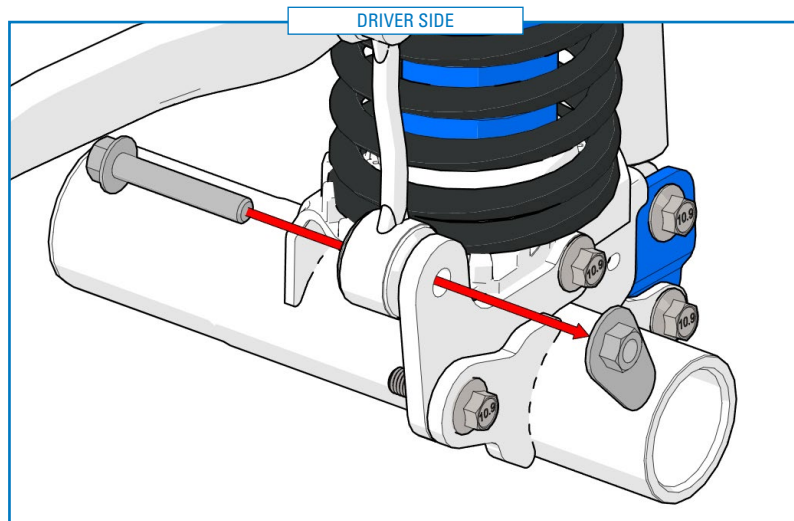


27

USE SUBGROUP HP1904**28 INSTALL DRIVER END LINK**

Attach end link to extension using OEM bolt and nut (as shown in Figure 28).

Torque hardware to 90 N•m [66 ft-lbs]

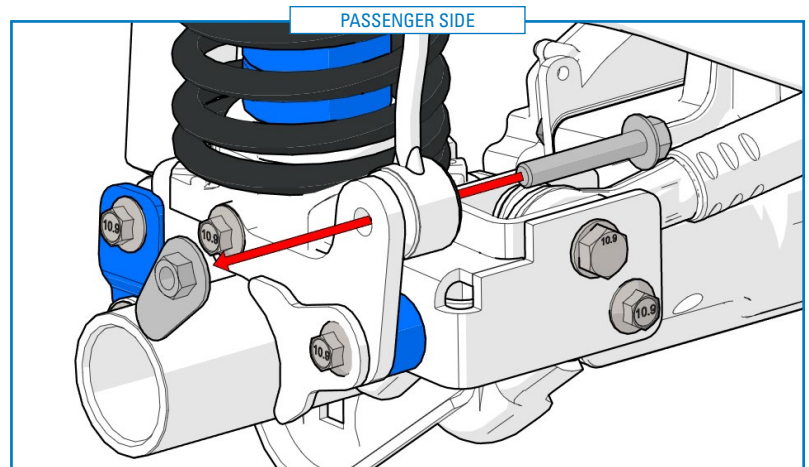


28

29 INSTALL PASSENGER END LINK

Attach end link to extension using OEM bolt and nut (as shown in Figure 29).

Torque hardware to 90 N•m [66 ft-lbs]

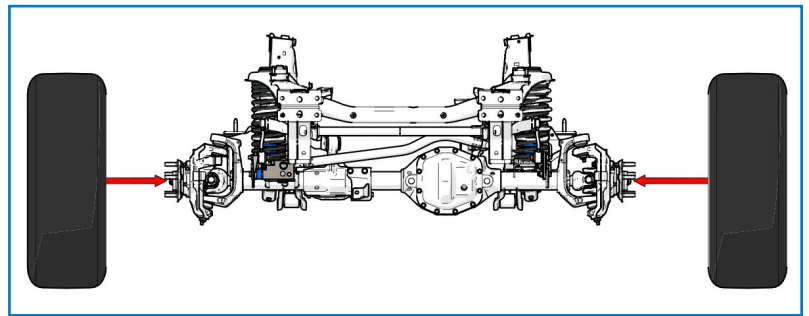


29

30 INSTALL TIRES & LOWER VEHICLE

Re-install the tires and lower the vehicle to the ground.

Torque wheels to manufacturer's specifications.



30

31 TORQUE ALL SUSPENSION HARDWARE

With the vehicle resting on the ground at unloaded ride height, rock the vehicle back and forth several times to settle all suspension components.

Move the vehicle forwards and backwards a short distance to allow suspension components to adjust.

Torque the following fasteners:

- Torque the rear lower shock bolts to 129 N•m [95 ft-lbs]
- Torque the rear lower track bar bolt to 206 N•m [153 ft-lbs]
- Torque the rear upper track bar bolt to 100 N•m [74 ft-lbs] plus an additional 30°
- Torque the front lower shock bolts to 129 N•m [95 ft-lbs]
- Torque the front lower track bar bolt to 207 N•m [153 ft-lbs]
- **FOR PRE 2023 MODELS:** Torque the front upper track bar bolt to 70 N•m [52 ft-lbs] plus an additional 115°
- **FOR 2023 MODELS:** Torque the front upper track bar bolt to 70 N•m [52 ft-lbs] plus an additional 155°

Congratulations!

You have completed the installation

POST INSTALLATION WARNING

Verify adequate tire, wheel, brake line and ABS wire clearance by turning the front wheels completely to the left and then to the right. Ensure brake/ABS lines are not stretched when the suspension is at full droop. Test and inspect steering, brake and suspension components. Vehicle damage may result if the post installation checks are not performed.

VEHICLE HANDLING WARNING

Larger wheel and tire combinations may increase the leverage on the suspension and steering components. Increasing the height of your vehicle increases the likelihood of rollover or loss of control during abrupt maneuvers, especially at high speeds. Operate your vehicle at reduced speeds in all conditions to prevent loss of control. Failure to do so may result in serious injury.

WHEEL ALIGNMENT & HEADLIGHT ADJUSTMENT

After the kit installation is complete, a professional wheel alignment must be performed by a certified alignment technician to re-align the vehicle to within factory specifications. Additionally, ensure that the vehicles headlights are aimed properly. If not, a headlight alignment is required as well. If not properly aligned it can cause increased tire and suspension component wear.

VEHICLE RE-TORQUE & SAFETY INSPECTION

After the kit installation and adjustments have been completed, within 160kms [100 miles] of driving and every subsequent 4800 kms [3000 miles], perform a check over of all applicable fasteners and hardware to ensure they are adequately tightened to the specifications given (or as noted in the vehicle's factory service manual).

WARRANTY

To be eligible for warranty, the owner must submit their warranty card or register online within 30 days of the purchase date.

.....