



Pacbrake Wireless Air Spring Controls give you the ability to adjust your air spring pressure from your phone with the touch of a button. Using Bluetooth connection and the Wireless Air Springs Control App from Pacbrake, spring pressure can be adjusted with real time air pressure feedback. The app features built in memory presets to store and quickly recall desired spring pressures for user convenience.



Product Highlights

- Universal fitment which integrates into any air suspension system
- Compatible with Android™ 4.3+ or Apple™ iOS™ 10.3+ mobile devices
- Three presets for rapid air pressure adjustment
- Real time pressure feedback
- Capable of achieving fill pressures up to 1034 kPa [150 psi]

All information contained in this document is for reference only, subject to change without notice.



90 SERIES ASSEMBLY

- Pre-installed Push-to-Connect air fittings for reduced installation time
- Pre-assembled wiring connectors for plug and play installation
- Mountable in any orientation
- Compressor crankcase mounted or remote mounted air intake filter

Specifications

Maximum Working Pressure	827.4 kPa [120 psi]
Maximum Duty Cycle	9% @ 689.5 kPa [100 psi]
Maximum Continuous Run Time	5 Minutes ON / 55 Minutes OFF
Rated Flow	29 L/min [1.02 CFM] at 0 kPa [0 psi]
Ambient Operating Temperature Range	-40°C to +70°C [-40°F to +158°F]
Ingress Protection	IP54 Compressor with crankcase mounted intake filter IP57 Compressor with remote mounted intake filter IP67 Electrical Connectors

Nominal Supply Voltage	12 VDC
Maximum Current Draw	11 Amps

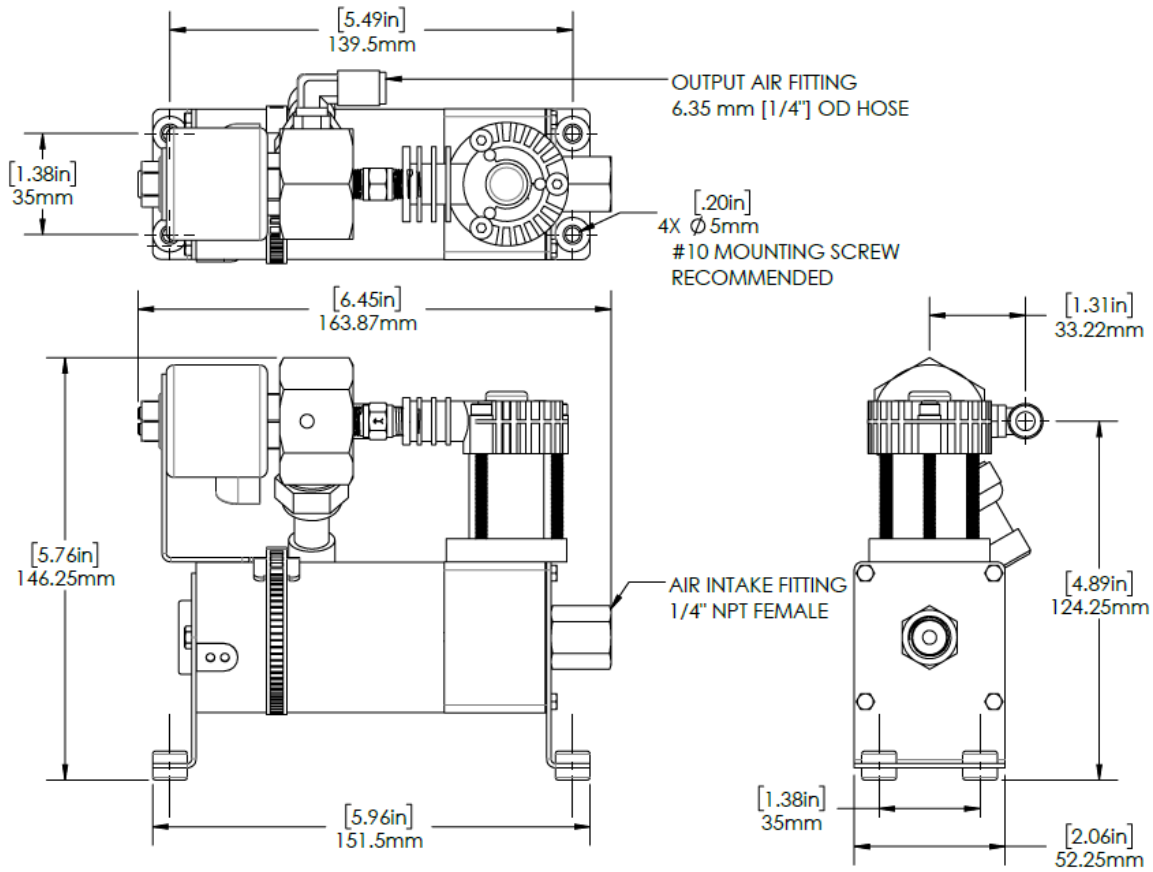
Color	Grey
Weight – Base Compressor Assembly	1.09 kg [2.41 lbs]
Weight – Quick Mount Assembly	3.39 kg [7.47 lbs]

Volume	Approximate Inflation Time	
	0 – 344.7 kPa [0 – 50 psi]	0 – 689.5 kPa [0 – 100 psi]
Sleeve Style Air Springs, 2000 lb Kit	52 seconds	130 seconds
Double Convoluted Air Springs, 5000 lb Kit	56 seconds	135 seconds
Double Convoluted Air Springs, 7500 lb Kit	90 seconds	260 seconds

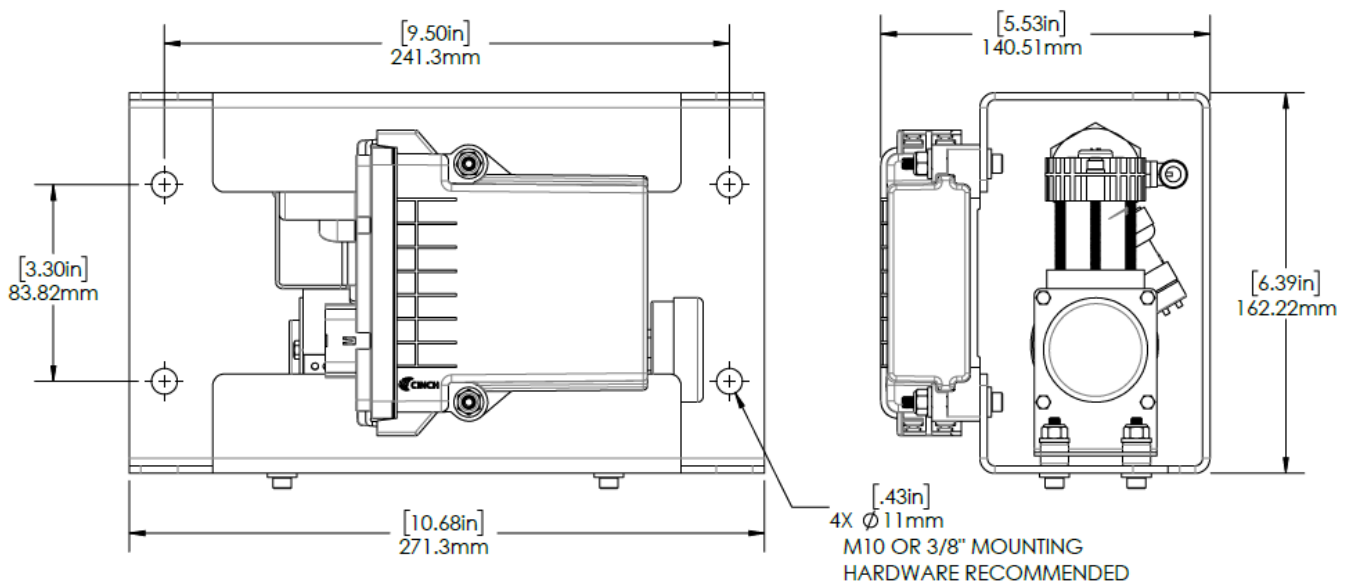
*All pressures are indicated in “gauge” pressure
All information contained in this document is for reference only, subject to change without notice.



Dimensions – Base Compressor Assembly



Dimensions – Quick Mount Assembly



*All pressures are indicated in "gauge" pressure
All information contained in this document is for reference only, subject to change without notice.



325 SERIES ASSEMBLY

- Pre-installed Push-to-Connect air fittings for reduced installation time
- Pre-assembled wiring connectors for plug and play installation
- Mountable in any orientation
- Remote mounted air intake filter

Specifications

Maximum Working Pressure	1034 kPa [150 psi]
Maximum Duty Cycle	33% @ 689.5 kPa [100 psi]
Maximum Continuous Run Time	20 Minutes ON / 40 Minutes OFF
Rated Flow	31.1 L/min [1.1 CFM] at 0 kPa [0 psi]
Ambient Operating Temperature Range	-40°C to +70°C [-40°F to +158°F]
Ingress Protection	IP54 Compressor with remote mounted intake filter IP67 Electrical Connectors

Nominal Supply Voltage	12 VDC
Maximum Current Draw	17 Amps

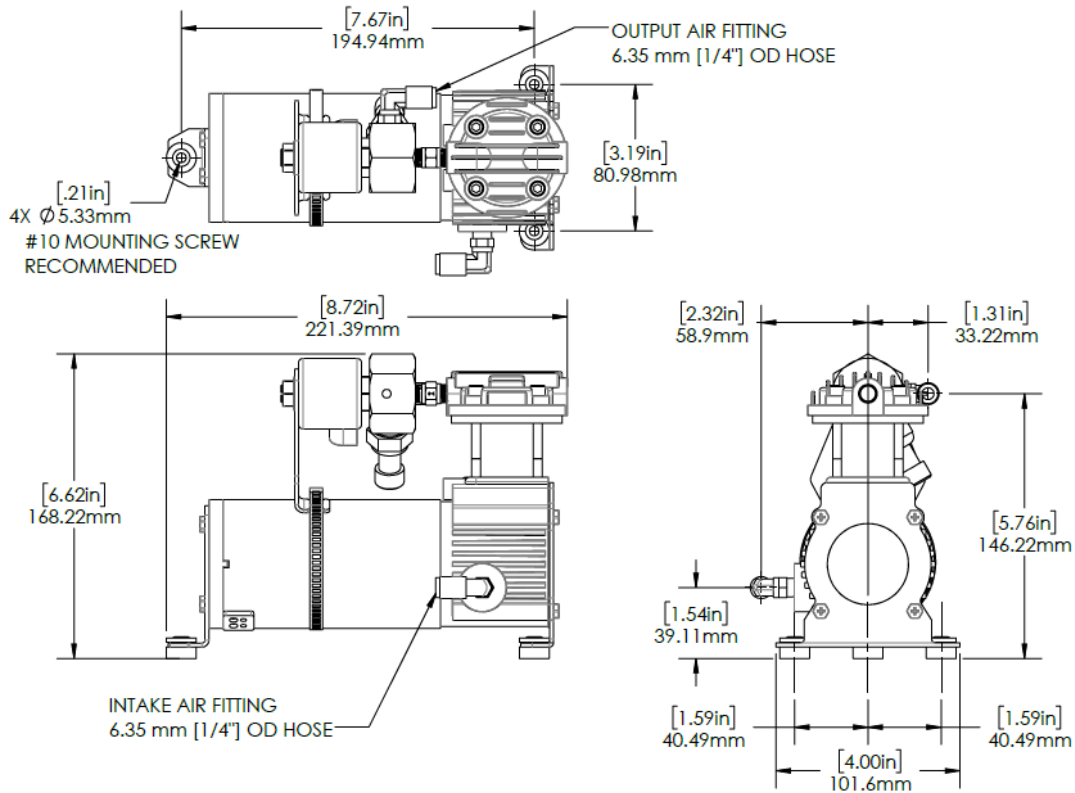
Color	Grey
Weight – Base Compressor Assembly	3.38 kg [7.45 lbs]
Weight – Quick Mount Assembly	6.38 kg [14.07 lbs]

Volume	Approximate Inflation Time	
	0 – 344.7 kPa [0 – 50 psi]	0 – 689.5 kPa [0 – 100 psi]
Sleeve Style Air Springs, 2000 lb Kit	35 seconds	75 seconds
Double Convoluted Air Springs, 5000 lb Kit	45 seconds	95 seconds
Double Convoluted Air Springs, 7500 lb Kit	55 seconds	125 seconds

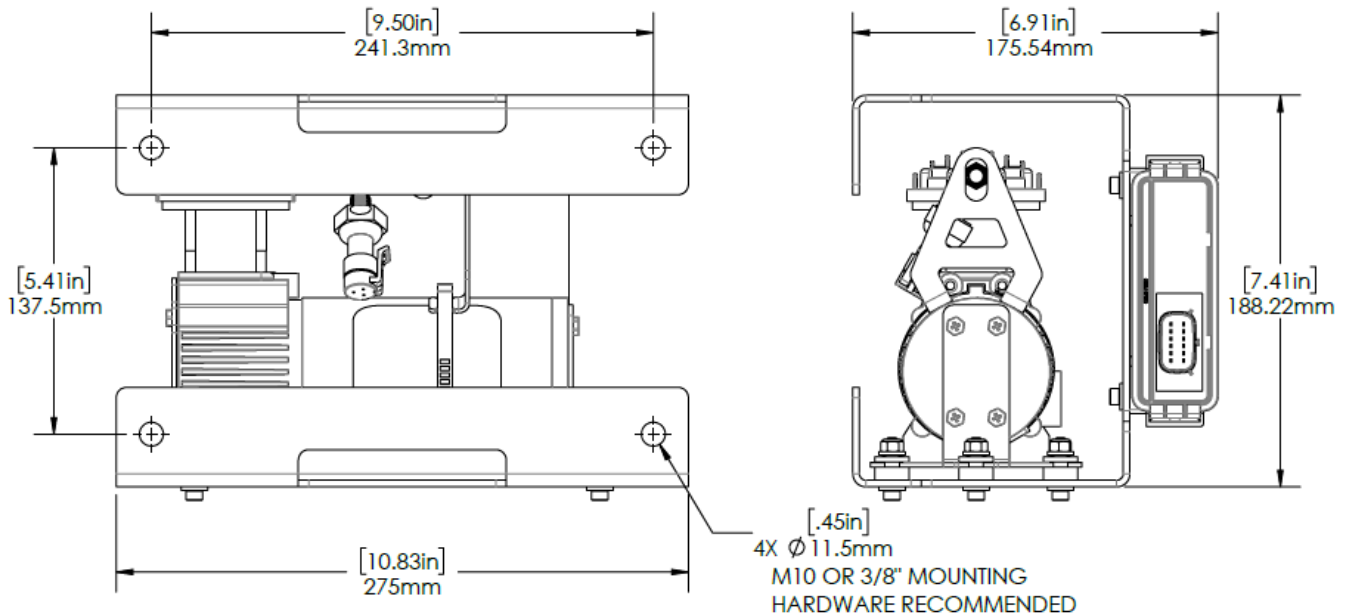
*All pressures are indicated in “gauge” pressure
All information contained in this document is for reference only, subject to change without notice.



Dimensions – Base Compressor Assembly



Dimensions – Quick Mount Assembly



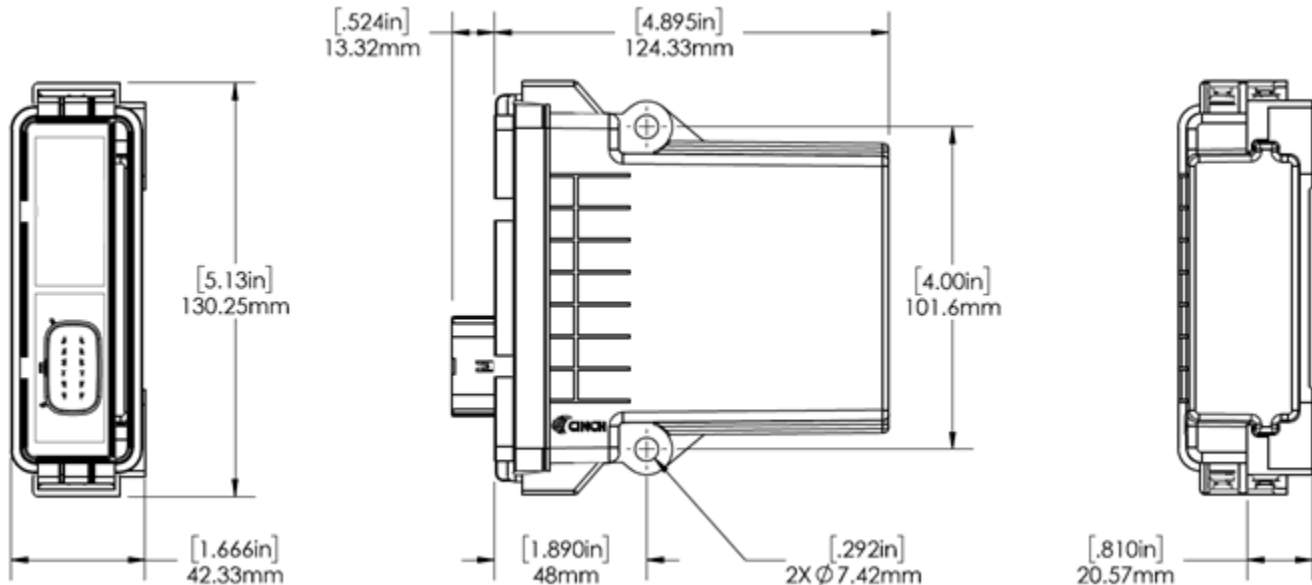
*All pressures are indicated in "gauge" pressure
All information contained in this document is for reference only, subject to change without notice.



CONTROLLER

Pacbrake's Wireless Air Controller gives users the ability to control their air spring system from their mobile device. Connection is established via Bluetooth, allowing for system operation without the need for internet or cell service. System control and programming is handled through Pacbrake's Wireless Air Spring Controls App available on Google Play and the App Store™.

- Three programmable memory presets for air pressure settings
- Real time air pressure feedback



Controller Item	Specification
Controller Voltage	12 VDC (9 to 14 VDC)
Ingress Protection	IP67
Ambient Temperature Range	-40°C to +85°C [-40°F to +185°F]
Vibration	8 G _{rms}
Current Consumption, Idle (12 VDC Nominal)	32 mA
Current Consumption, Activation	1.5 A
Pressure Feedback Accuracy	± 6.89 kPa [1 psi]
Mobile Device Operating System	Android 4.3+ (Jellybean) or Apple™ iOS™ 10.3+
Installation Torque	7.91 Nm [70 in-lbf]

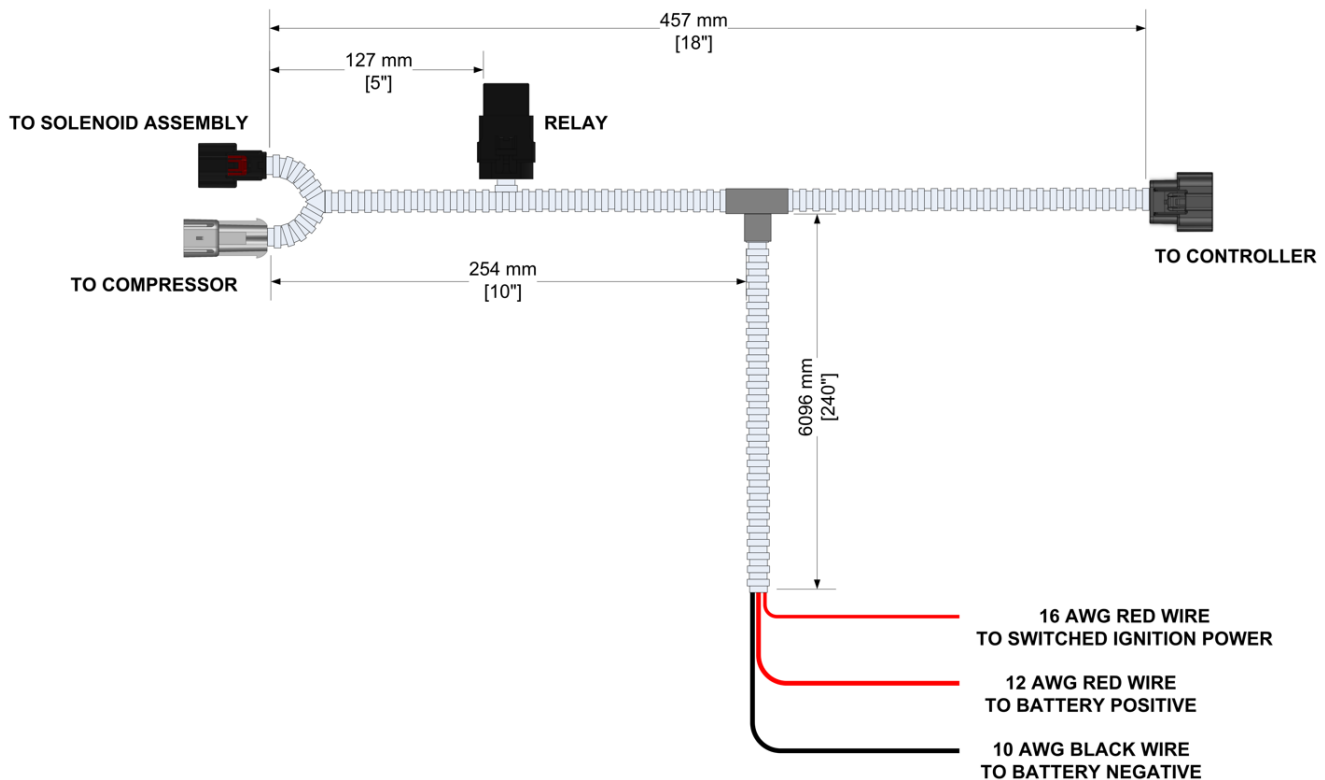
*All pressures are indicated in "gauge" pressure
All information contained in this document is for reference only, subject to change without notice.



WIRING HARNESS

Common wiring harness compatible with all single channel air control applications. Harness uses sealed connectors for plug and play connection to air compressor assembly and controller. Excess harness length is provided to ensure installation can be achieved independent of compressor and controller mounting location. Only battery power and switched ignition power must be connected for use.

Temperature Rating (Continuous)	-40°C to +105°C [-40°F to +221°F]
Ingress Protection	IP67 Sealed Connectors
Flammability Rating	FT2
RoHS Compliant	Yes
Environmental Resistance	Fuel, oil, and solvent compatible
Wiring	SAE J1128, Tinned Copper Conductor



Harness Item	Specification
Battery Connection Method	Ring Crimp Terminals
Switched Ignition Power Connection Method	T-Tap Connector with Spade Crimp Terminal
Controller Overload Protection	In-Line 10 Amp Mini Fuse
Compressor Overload Protection	In-Line Mini Fuse (Amperage is compressor specific)

If extending wiring harness lengths, individual runs must not extend beyond 10 meters [30 feet] from controller. Use sealed connections and specified wire type & size.

*All pressures are indicated in "gauge" pressure
All information contained in this document is for reference only, subject to change without notice.



WIRELESS AIR SPRING CONTROLS APP

Pacbrake’s Wireless Air Springs Control App allows users to adjust air spring pressure from their mobile device. The application connects to the Wireless Air Control kit via Bluetooth and is available for download on Google Play and the App Store™. The application is compatible with Android™ 4.3+ or Apple™ iOS™ 10.3+ mobile devices.



- ← Bluetooth Toggle Help / Settings
- ← Presets Tab
- ← Pressure Indicator
- ← Air Spring Controls



*Phone not included

Function	Usage
Air Spring Controls	Press and hold Inflation (+) or Deflation (-) to adjust pressure in air springs
Pressure Indicator	Provides real time feedback of air pressure in air springs in PSI
Presets Tab	Press and edit icon to name/save current pressure value as a preset Press and release to recall saved preset pressure
Bluetooth Toggle	Illuminates when successful connection is established Tap to manually connect or disconnect to wireless controller
Help/Settings Button	Press to access app and system settings: <ul style="list-style-type: none"> • Pressure Units (PSI/kPa) • Channel Mode (Single/Dual) • Pressure Sensor Calibration

Legal

- Apple and the Apple logo are trademarks of Apple Inc., registered in the U.S. and other countries. App Store is a service mark of Apple Inc., registered in the U.S. and other countries.
- Google Play and the Google Play logo are trademarks of Google LLC
- Android is a trademark of Google LLC

*All pressures are indicated in “gauge” pressure
All information contained in this document is for reference only, subject to change without notice.