

Compressor Specifications



Introducing Pacbrake's NEW 425 series compressors with a 50% duty cycle, they are capable of filling a 5 gallon air tank in less than 5 minutes. Heavy duty compressors for wherever the road takes you.

HP425 SERIES AMP AIR COMPRESSORS

Pacbrake's HP425 series air compressors have a 50% duty cycle [30 min on/30 min off] and are offered in 12 VDC. These ¼ horsepower compressors utilize an oil-less design, sealed bearings, a PTFE piston ring, a copper wire wound permanent magnet motor and a hard anodized aluminum sleeve.

- High temperature sealed bearings
- PTFE piston rings (Oil-less design)
- Hard anodized aluminum cylinder sleeve
- Copper wire wound permanent magnet motor
- Check valve to prevent hard start-up
- Mountable in any orientation
- Thermal switch limit 221°F (105°C), Auto reset at 185°F (85°C)
- Crank case mounted air filter, IP52 (Remote, IP67)

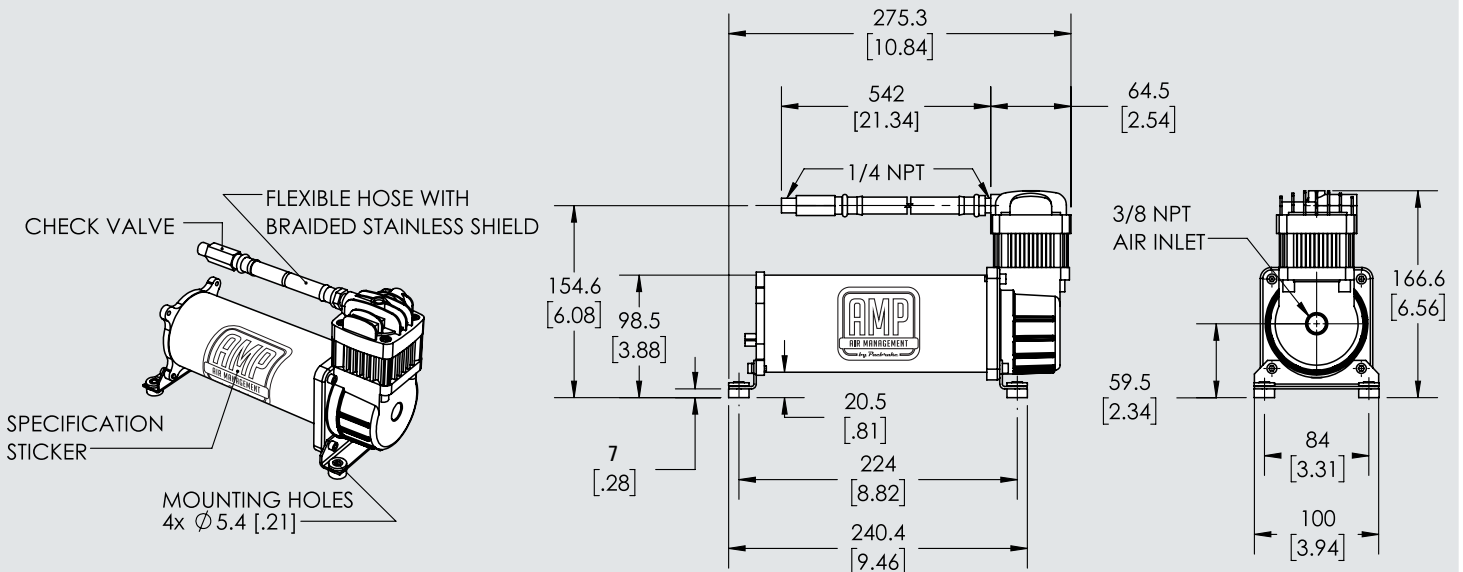


HP10300
HP425 12 VDC AIR COMPRESSOR
Duty Cycle: 50% [30 min on / 30 min off]
Max Working Pressure: 200psi [1379 kPa]
Voltage: 12 VDC
Size: 10.8" x 3.9" x 6.6" (LxWxH)
 [275 mm x 100 mm x 167 mm]
Weight: 10.26 lbs [4.65 kg]



HP10300-B
HP425 12 VDC AIR COMPRESSOR
Duty Cycle: 50% [30 min on / 30 min off]
Max Working Pressure: 200psi [1379 kPa]
Voltage: 12 VDC
Size: 10.8" x 3.9" x 6.6" (LxWxH)
 [275 mm x 100 mm x 167 mm]
Weight: 10.26 lbs [4.65 kg]

HP425 SERIES AIR COMPRESSOR DIMENSIONS



AIR SUSPENSION

IN-CAB CONTROLS

ONBOARD AIR

COMPONENTS

WARRANTY

AIR MANAGEMENT

FOR ALL YOUR ADVENTURES

HP425 12 VDC SPECIFICATIONS

GENERAL DATA

PART NUMBER	Chrome [HP10300], Black [HP10300-B]
WEIGHT	10.26 lbs [4.65 kg]
AMBIENT TEMPERATURE RANGE	-40°F to 158°F [-40°C to 70°C]
MAX DUTY CYCLE	50% [30 min on / 30 min off]

PNEUMATIC DATA

RATED FLOW	1.75 SCFM [0.05 m ³ / min]
MAX WORKING PRESSURE	200psi [1379 kPa]
MAX CONTINUOUS RUN TIME	30 min
MAX CURRENT	23 A

ELECTRICAL MOTOR DATA

OPERATING VOLTAGE	12 VDC ± 15%
NOMINAL POWER	.25 hp [0.18 kW]
NOMINAL VOLTAGE	12 VDC

**Operating life may be dependent on application*

HP425 12 VDC TANK FILL TIME

TANK SIZE	TANK PART #	0 to 100 psi	100 to 150 psi
½ Gallon	HP10053	24 seconds	21 seconds
2½ Gallon	HP10050	135 seconds	110 seconds
5 Gallon	HP10094	255 seconds	230 seconds

HP425 12 VDC - CURRENT AND FLOW RATE VS. PRESSURE (13.8 VDC)

