

SUBJECT: 10328 KIT LOWER BRACKET DIFFERENCES

Air spring kit 10328 lower air spring brackets are different between the passenger and driver side. They mount in the same manner; however it is critical that the 3-holed bracket (Figure 1) is used for the driver side spring. It provides additional clearance to surrounding components.

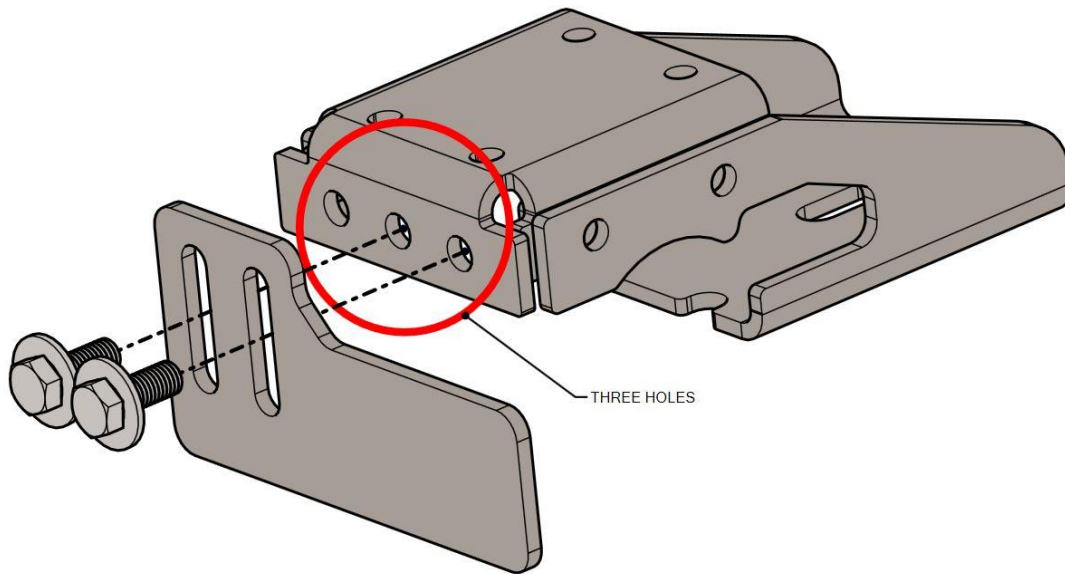


Figure 1: DRIVER side assembly

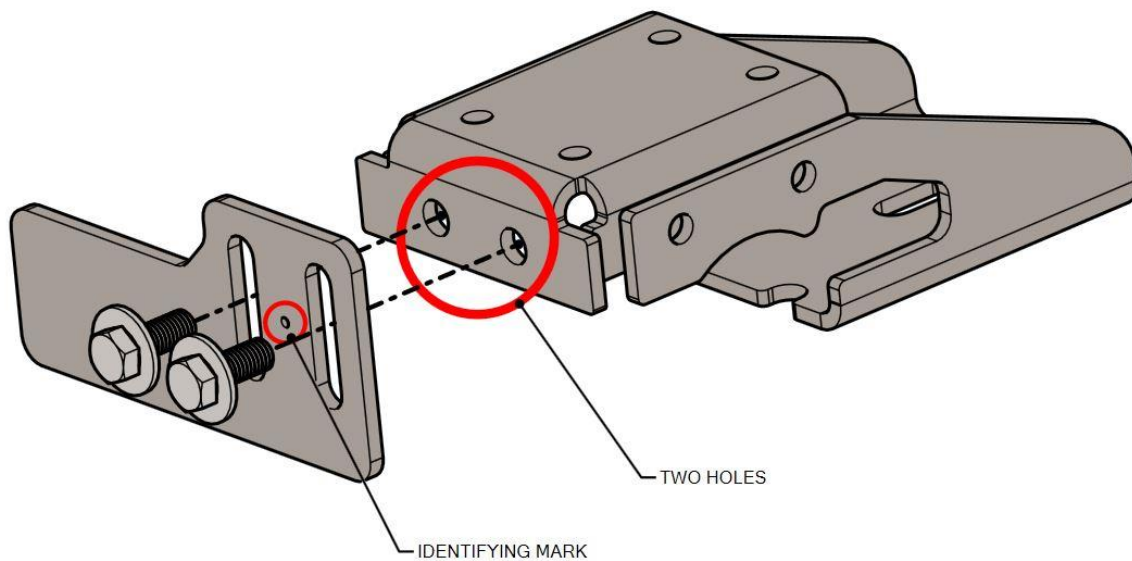


Figure 2: PASSENGER side assembly