

Installation Manual



10362 KIT

RAM 1500 Classic HEMI
with M22 X 1.5 mm Oil Filter Thread*

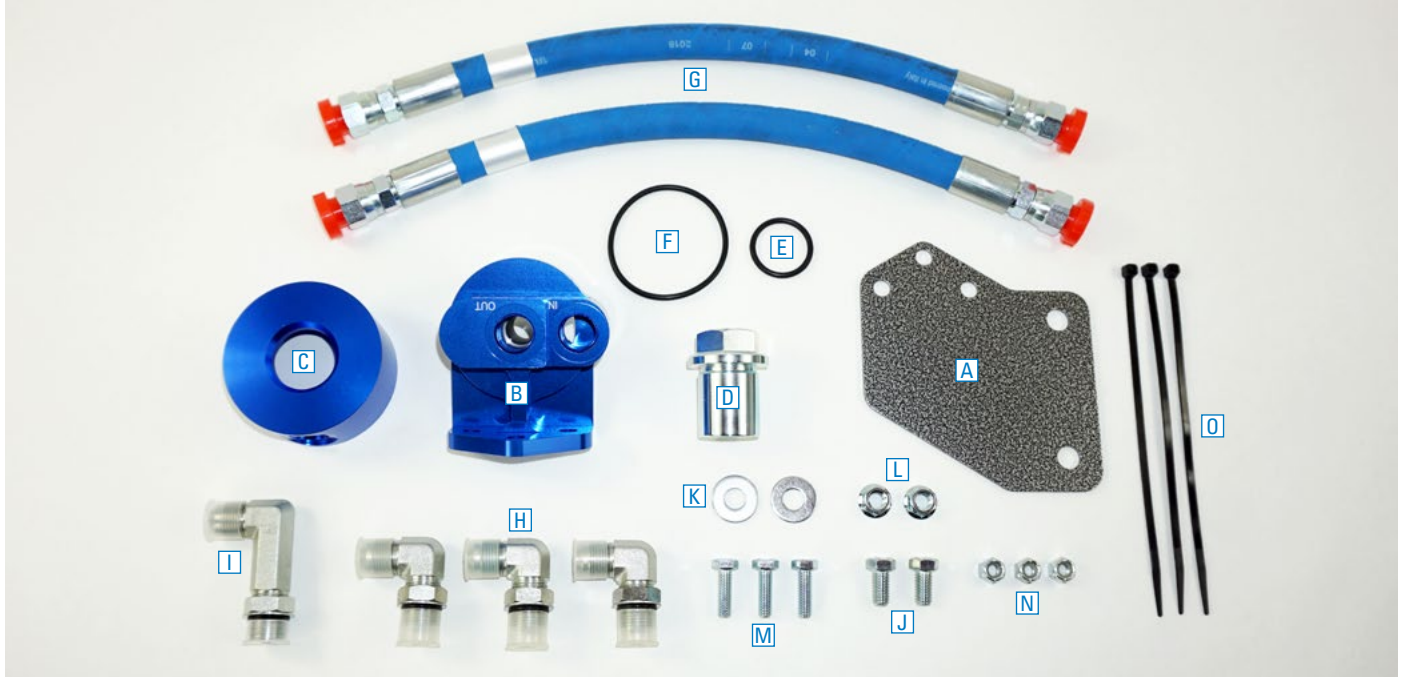
*Oil filtration relocation kits provide easy access & serviceability
to the engine's oil filter.*

* See application guide for proper fitment.

L6499_REV3_09.23.2020

Thank you and congratulations on the purchase of an oil filter relocation kit. Please read the entire manual prior to starting the installation to ensure you can complete it once started.

KIT LAYOUT



KIT CONTENTS

Please make sure all the items shown in the above kit layout are provided in your kit before starting the installation.

KIT CONTENTS			REQUIRED TOOLS		
	QTY	PART #			
A Oil Filter Relocation Bracket	1	HP1598	•	Hoist or Floor Jack	
B Remote Filter Head	1	HP1599	•	Safety Stands	
C Replacement Filter Head	1	HP0031	•	Safety Glasses	
D Retaining Nut	1	HP1601	•	Torque Wrench	
E O-Ring (Small)	1	HP1029	•	Standard Combination Wrenches	
F O-Ring (Large)	1	HP1030	•	7/32" Hex Allen Wrench	
G Hydraulic Hose	2	HP1602	•	1-1/8" Wrench or Deep Socket	
H 90° Hydraulic Fitting	3	HP1024	•	Ratchet	
I Extended 90° Hydraulic Fitting	1	HP1330	•	Metric & Standard Sockets	
J 3/8 – 16 x 3/4" Bolt	2	C11571			
K 3/8" Washer	2	C18006			
L 3/8 – 16 Flange Nut	2	HP1338			
M 5/16 – 18 X 1" Hex Head Cap Screw	3	HP1028			
N 5/16 – 18 Nylon Lock Nut	3	C11943			
O Tie Straps	3	C11618			

- 1 Remove the existing oil filter and recycle.

- 2 Locate the 90° hydraulic fittings provided in the kit.

Install them into the replacement filter head and retainer nut as shown in Figure 2.

Tighten the lock nut on both fittings to 40 ft-lbs (54 N-m).

Note: Ensure the 90° fitting is pointing horizontally after tightening.

Install both seals onto the replacement filter head assembly as shown in Figure 2.

Put a light coat of clean engine oil on both seals and loosely install the assembly into the engine by turning the filter head retaining nut.

Rotate the filter head assembly to attain maximum clearance for hose routing.

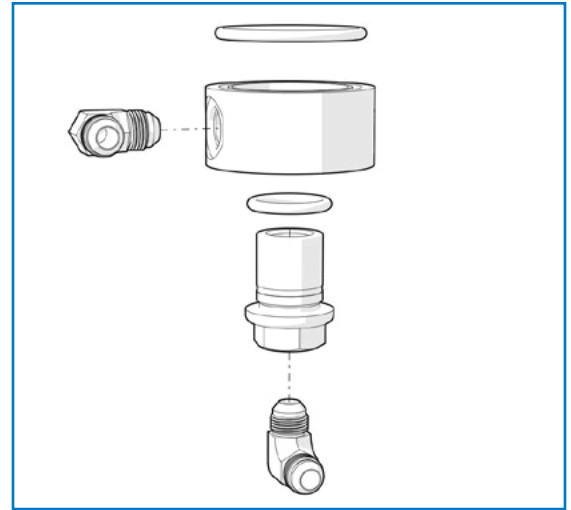
Tighten the filter head retaining nut as you would for a new filter installation.

- 3 Secure the remote filter head to the mounting bracket using the 5/16" fasteners provided (shown in Figure 3).

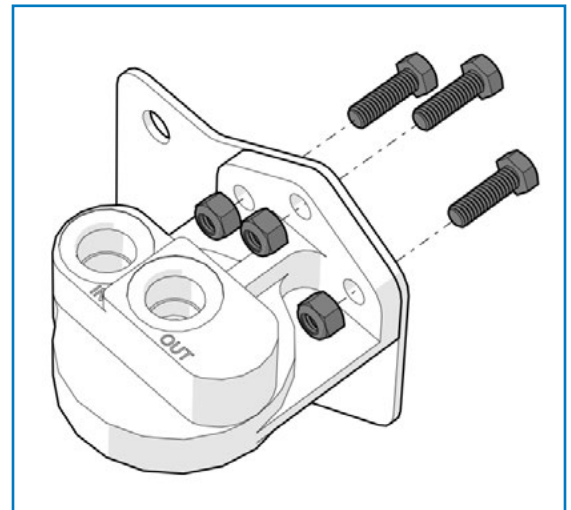
Torque the screws to 25 ft-lbs (34 N-m).

- 4 Locate the 90° and extended 90° hydraulic fittings and install them into the remote filter head as shown in Figure 4.

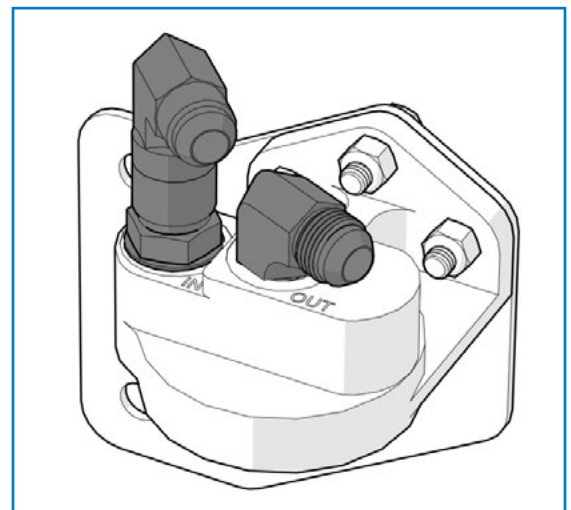
Do not tighten the fittings yet to allow for adjustment.



2



3



4

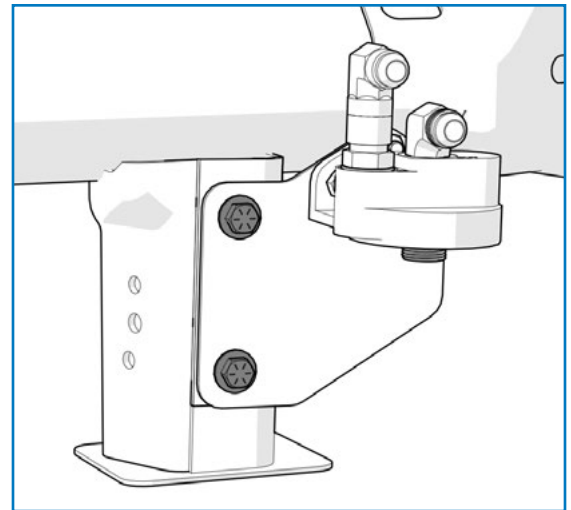
- 5 Install the filter mounting bracket as shown in Figure 5.

The bracket mounting location is located beneath the frame rail on the passenger's side, forward of the tire.

The bracket should be placed so the remote filter head is inside of the frame rail.

Secure as shown in Figure 5 using provided 3/8" bolts, washers and flange nuts.

Torque bolts to 44 ft-lbs (60 N-m).



5

- 6 Rotate the 90° hydraulic fittings to attain maximum clearance for hose routing.

NOTE: Ensure that the fittings on the hoses have enough clearance to attach onto the fittings on the remote filter head

Tighten the lock nuts on the fittings to 40 ft-lbs (54 N-m).

- 7 Locate the two hydraulic hoses provided in the kit and install one end of each hose onto the 90° fittings on the remote filter head.

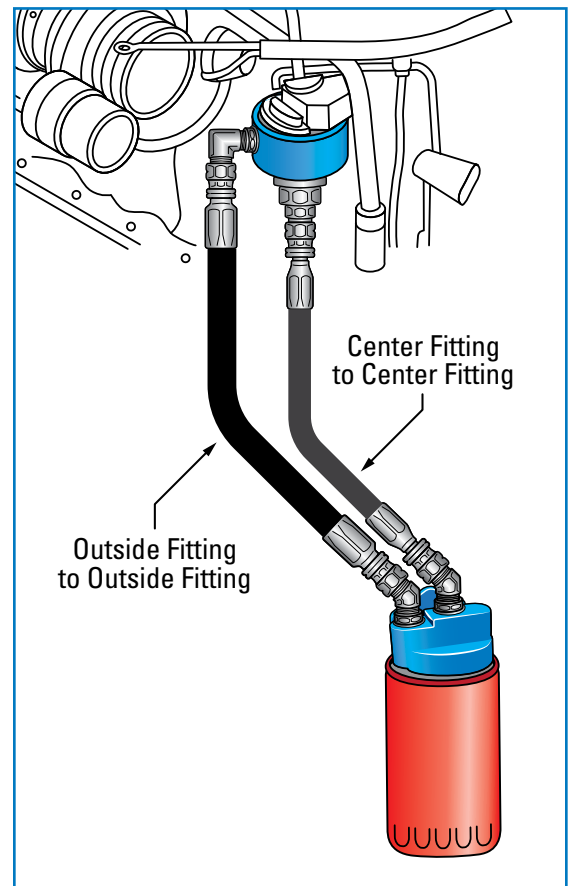
Tighten both hose end fittings to 40 ft-lbs (54 N-m).

- 8 Route the hoses from the remote filter head to the fittings on the replacement filter head (use Figure 8 for reference).

Connect the hose attached to the center fitting of the remote filter head to the center fitting on the replacement filter head.

Connect the hose attached to the outside fitting on the remote filter head to the outside fitting on the replacement filter head. Tighten both fittings.

NOTE: Use the supplied tie straps to secure the hydraulic lines away from heat sources and moving parts.



8

- 9 Install a new oil filter into the remote filter head.

Note: It is recommended to fill the new oil filter with clean engine oil prior to installation.

Double check all the fittings to ensure they are tightened adequately before moving on to the following step.

- 10 Start the vehicle and allow it to idle while watching the oil pressure gauge.

Once the engine oil pressure is in the normal range, check the entire system again for oil leaks.

***Congratulations!
You have completed the installation***