

Thank you and congratulations on the purchase of a Quickie Mounting Assembly for a 90 Series Single Channel Wireless kit.

This Mounting Assembly manual is compatible with the following kit:

KIT PART #	KIT DESCRIPTION
10472	Single Channel Wireless Air Spring Control Kit w/ 12 VDC 90 Series Air Compressor

BEFORE STARTING THE INSTALLATION:

1. Read through this manual and ensure you can complete the installation once started.
2. Ensure the kit you recieved contains all the items in the Kit Contents list below:
3. It is recommended to use a good quality anti-seize on all fasteners. This will reduce the chance of corrosion on the fasteners and will help facilitate removal, if required at a later date.

IMPORTANT NOTES:

- ⓘ *Ensure no lines or wires are pinched between assembly and vehicle frame when installed*
- ⓘ *Assembly must have minimum 152 mm [6"] of clearance to sources of high heat such as exhaust*

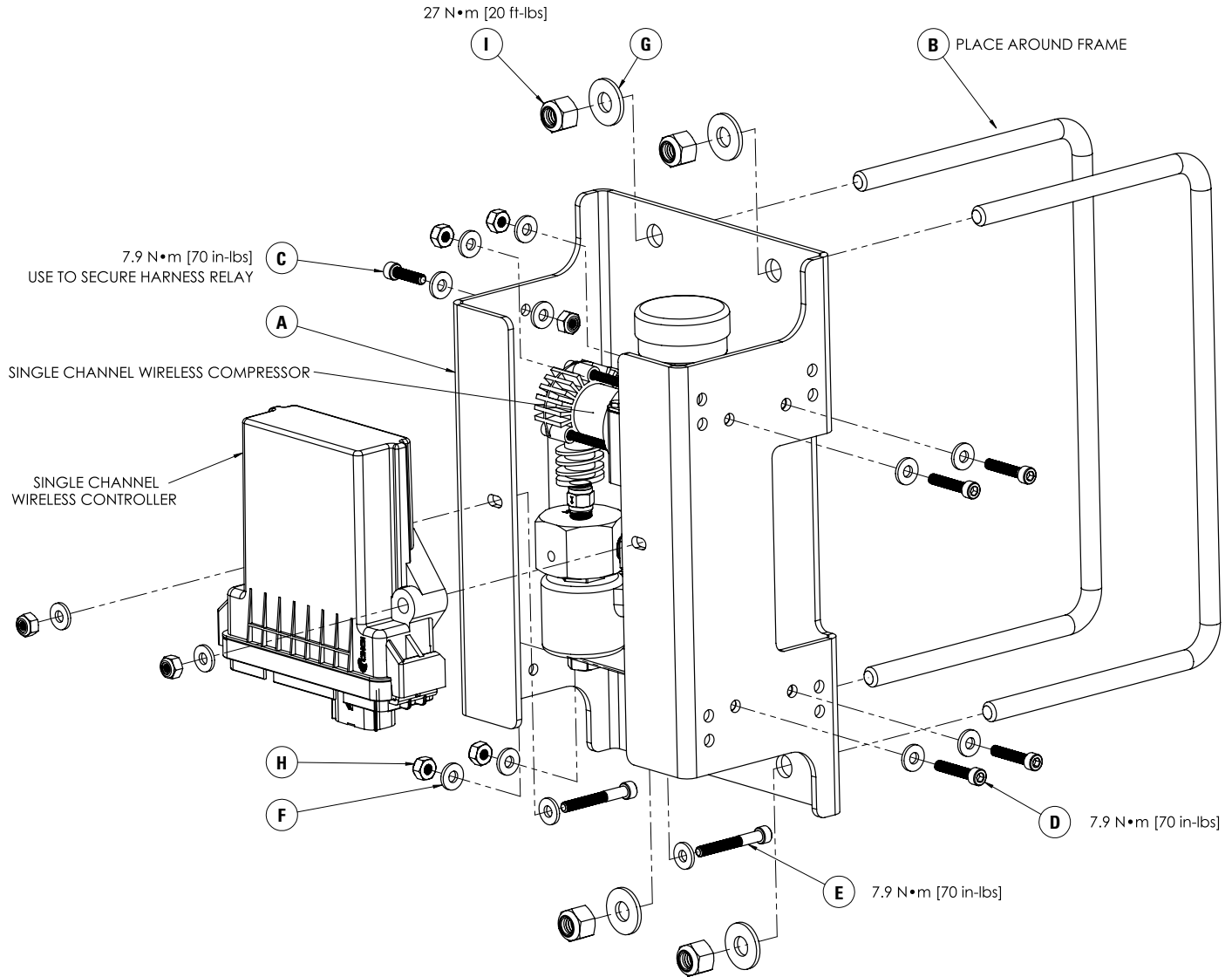
KIT CONTENTS

Please make sure all the items listed below are provided in your kit before starting the installation.

KIT CONTENTS			REQUIRED TOOLS
	QTY	PART #	
A Bracket, 90 Series Mount	1	HP1881	<ul style="list-style-type: none"> • Ratchet & Socket Set • Allen Key Set • Torque Wrench
B U-Bolt	2	HP1511	
C Bolt, #10 - 32 x 3/4" Socket Head	1	HP1209	
D Bolt, #10 - 32 x 1" Socket Head	4	HP1539	
E Bolt, #10 - 32 x 1.5" Socket Head	2	HP1521	
F Washer, #10 Flat	14	C10406	
G Washer, 3/8" Flat	4	HP18006	
H Nut, #10-32 Nylon Lock	7	C10843	
I Nut, 3/8" Nylon Lock	4	HP1000	

WIRELESS MOUNTING ASSEMBLY SHOWN WITH 10472 KIT

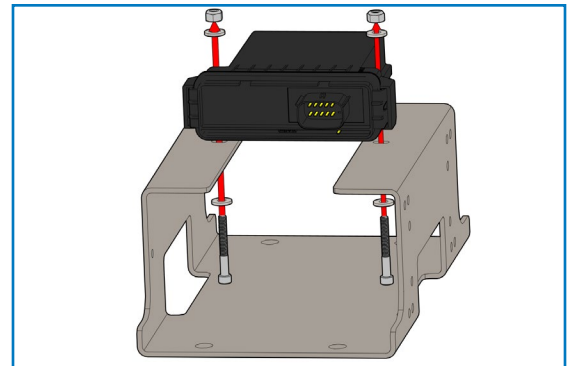
Please make sure all the items shown in the kit contents on Page 2 are provided in your kit before starting the installation.



1 ATTACH CONTROLLER TO BRACKET

Mount the controller on the bracket (as shown in Figure 1) using two #10-32 x 1.5" socket head bolts, #10 washers and #10-32 nylon lock nuts.

Torque bolts to 7.9 N•m [70 in-lbs].

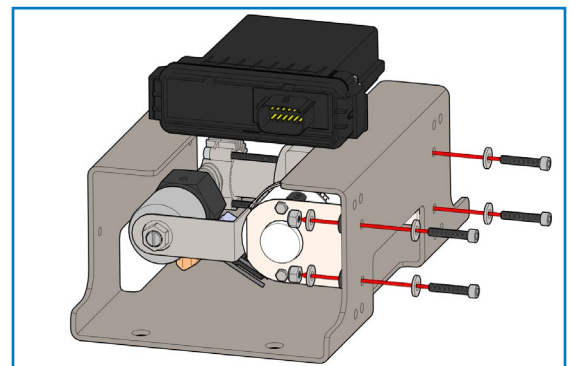


1

2 ATTACH COMPRESSOR TO BRACKET

Mount the compressor on the bracket (as shown in Figure 2) using four #10-32 x 1" socket head bolts, #10 washers and #10-32 nylon lock nuts.

Torque bolts to 7.9 N•m [70 in-lbs].



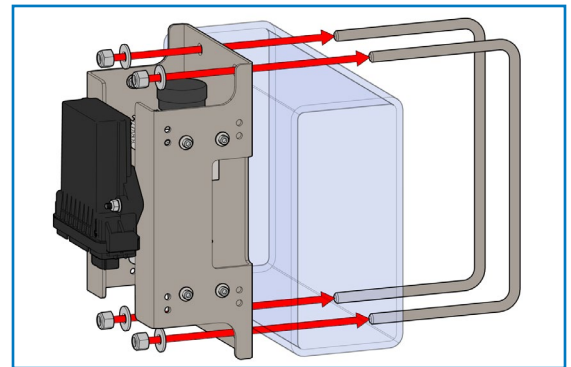
2

3 SECURE MOUNTING ASSEMBLY TO FRAME

Secure the mounting assembly to the vehicle frame rail using two U-bolts, four 3/8" nylon lock nuts and 3/8" flat washers (as shown in Figure 3).

Torque U-bolts evenly to 27 N•m [20 ft-lbs].

Ensure no lines or wires are pinched between the assembly and vehicle frame when installed.

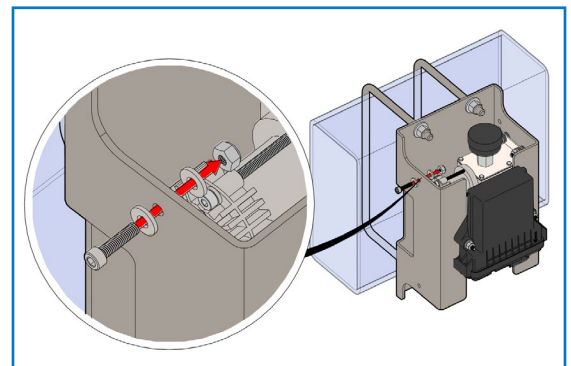


3

4 COMPLETE SINGLE CHANNEL HARNESS INSTALLATION

Complete the installation of your Single Channel Wireless kit's harness per the provided kit's installation manual.

The harness relay can be secured to one of two mounting holes on the outside of the bracket using the provided #10-32 x 3/4" socket head bolt, two #10 washers and #10-32 nylon lock nut.



4